



ENTRUST

Quick Install Guide

SD160™ Card Printer
SD260™ Card Printer

October 2020
527657-001, Rev D

Warning: This product contains chemicals, including lead, known to the State of California to cause cancer, and birth defects or other reproductive harm. *Wash hands after handling.*

For more information on this warning, refer to:
www.datacard.com/califpropwarning.



Contents

Step 1: Prepare the Printer	2
Step 2: Plug In and Power On the Printer	4
Step 3: Set Up the PC	5
Step 4: Install the Printer	
(USB): Install a USB Printer	7
(Network): Install a Network Printer	9
Step 5: Print a Sample Card	12

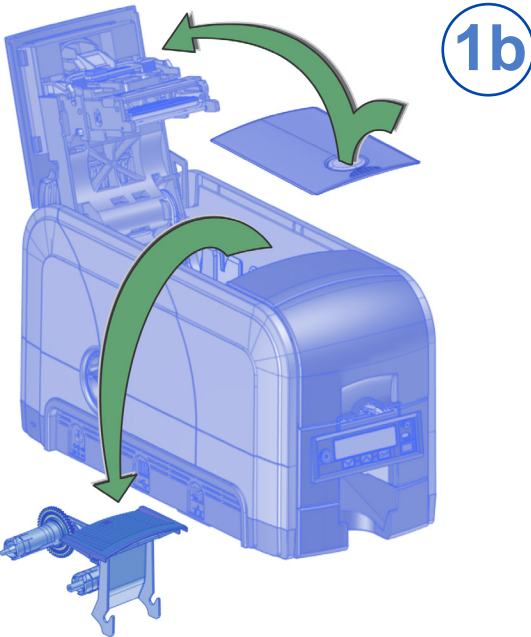
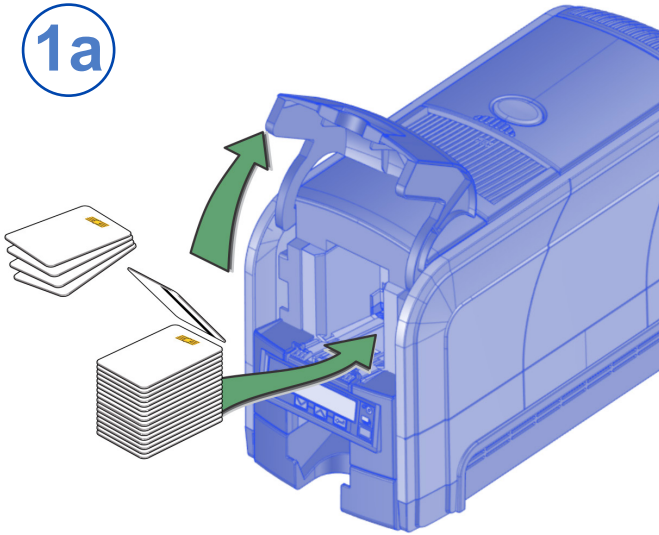
Installation Steps



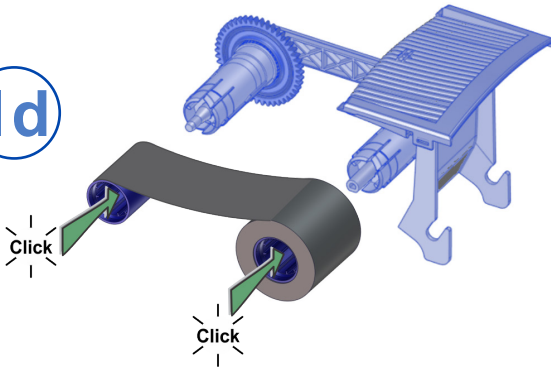
*Supplies sold separately

The printer must be used as installed and recommended by Datacard. You may not modify the printer or how it is used without written permission. Changes or modifications not expressly approved by the party responsible for compliance could void the user's authority to operate the equipment.

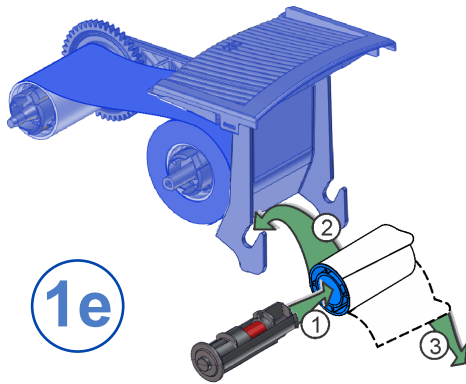
Step I: Prepare the Printer



1d

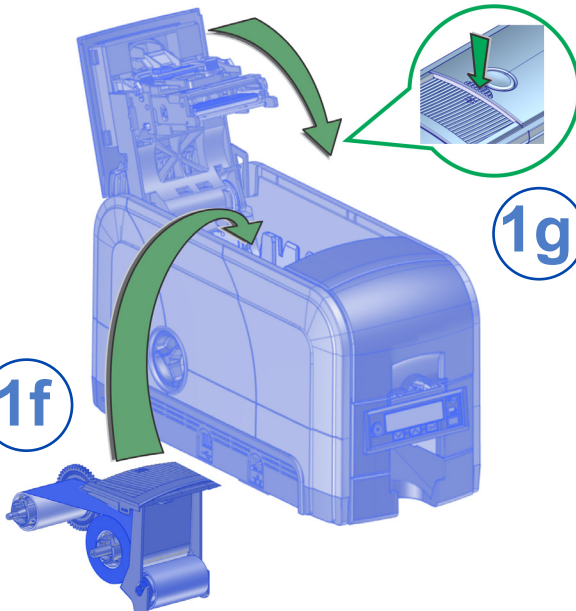


1e



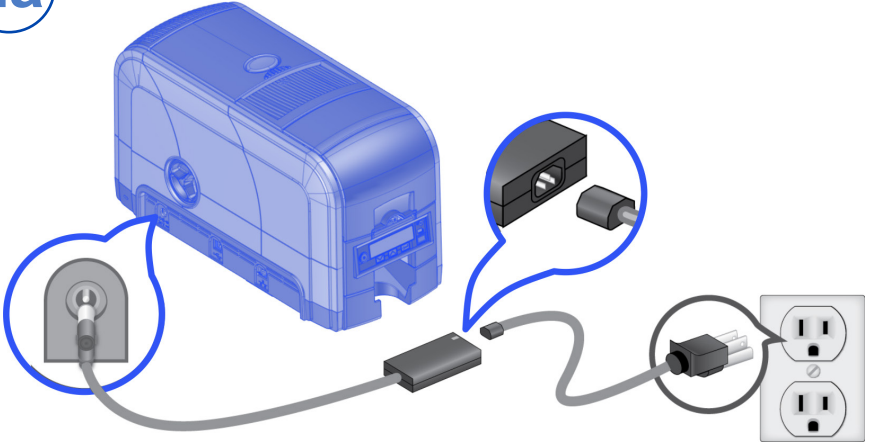
1g

1f

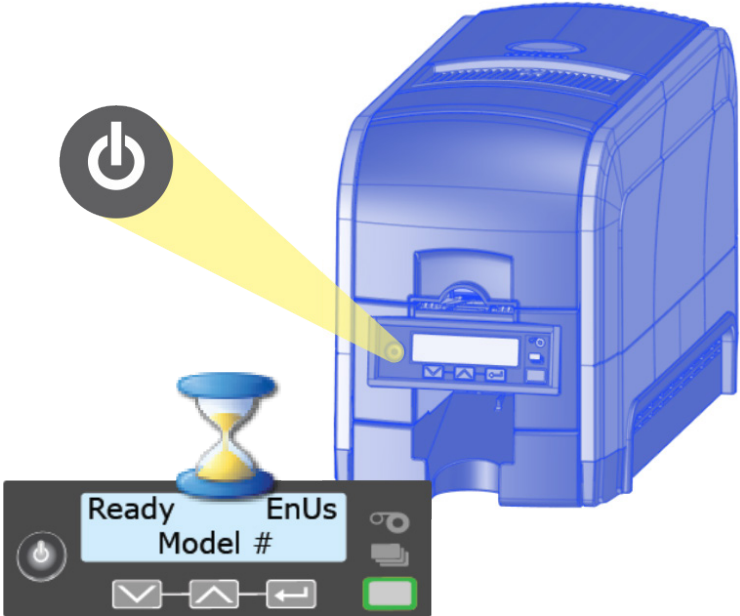


Step 2: Plug In and Power On the Printer

2a

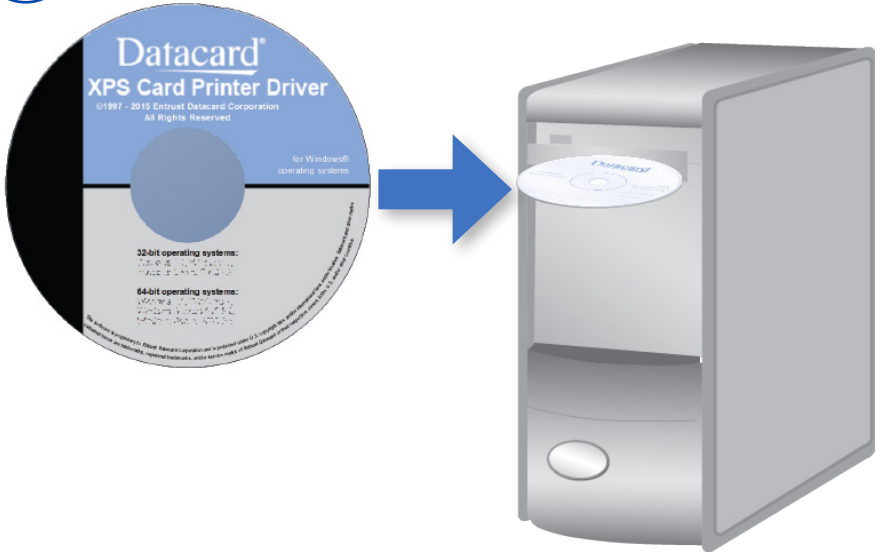


2b



Step 3: Set Up the PC

3a



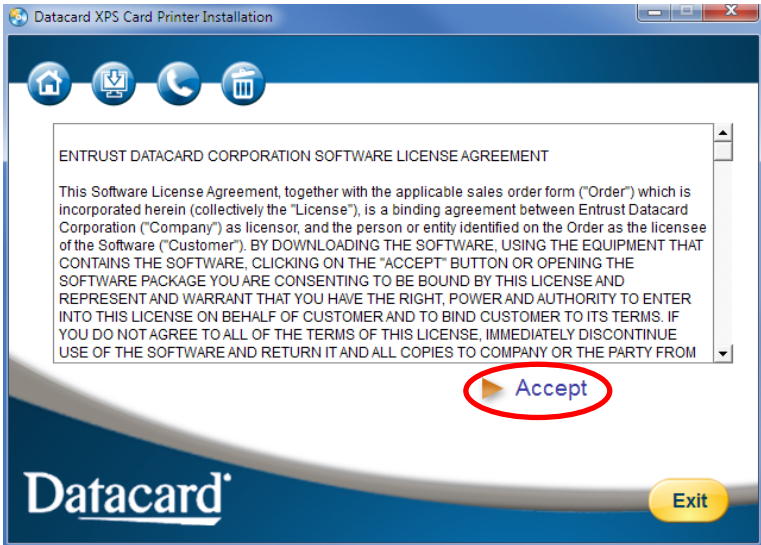
3b



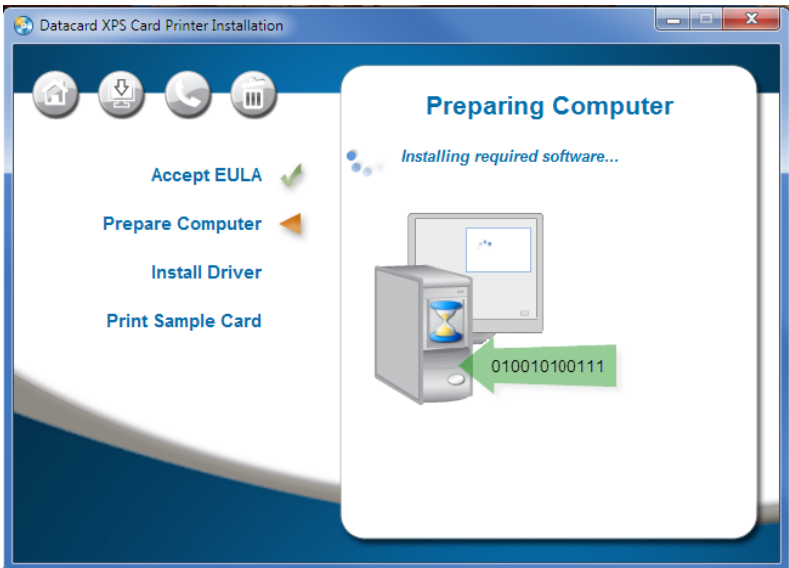
 Do not plug in the USB cable until prompted.

Step 3: Set Up the PC—cont.

3c



3d

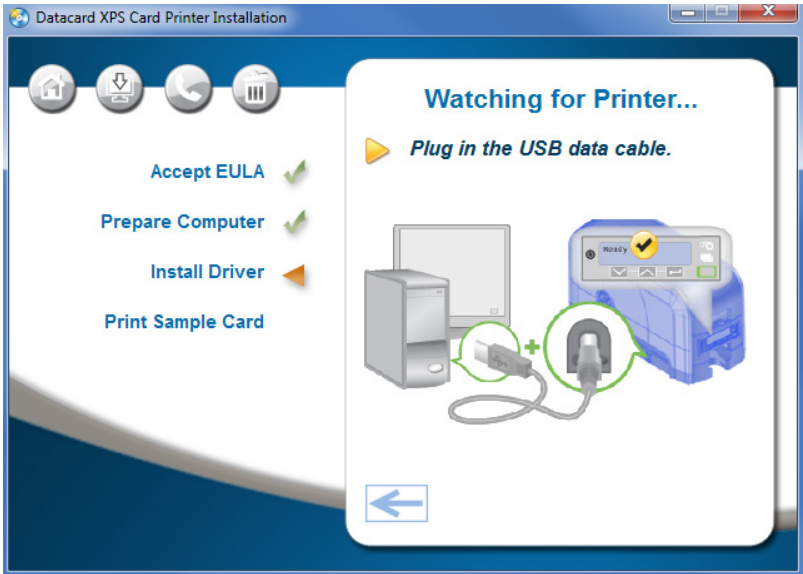


Continue with "Step 4 (USB): Install a USB Printer" on page 7
OR "Step 4 (Network): Install a Network Printer" on page 9.

Step 4 (USB): Install a USB Printer

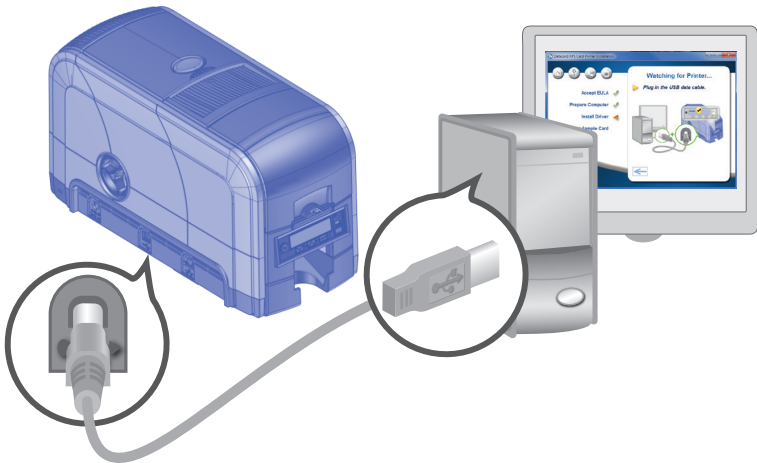
USB

4a



USB

4b



Step 4 (USB): Install a USB Printer—cont.

USB

4c

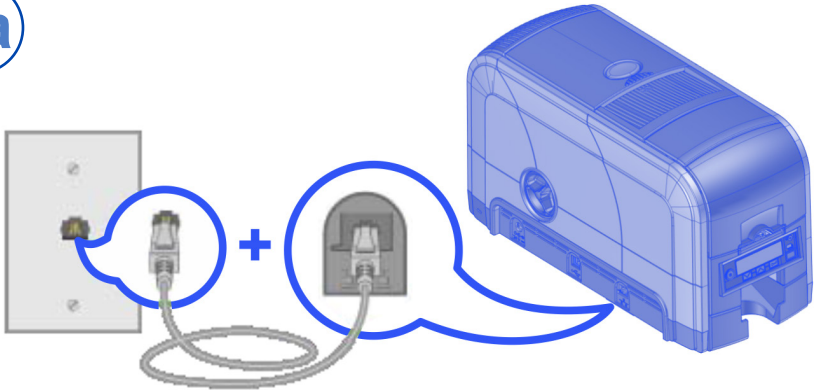


Go to “Step 5: Print a Sample Card” on page 12.

Step 4 (Network): Install a Network Printer

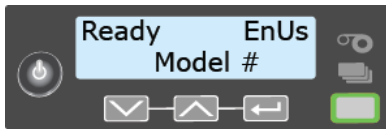
Network

4a

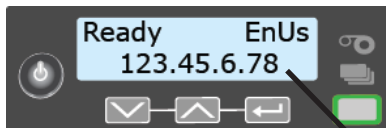


Network

4b



2X ↑



Step 4 (Network): Install a Network Printer—cont.

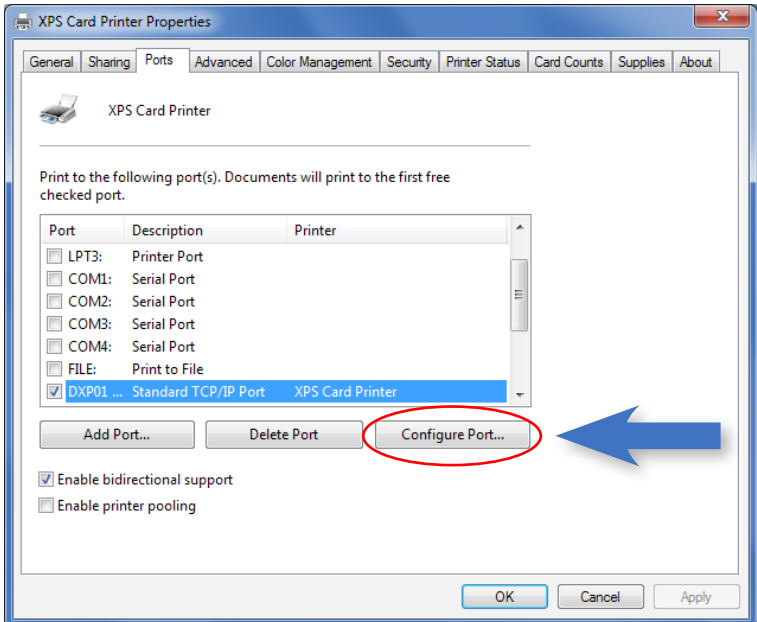
Network

4c



Network

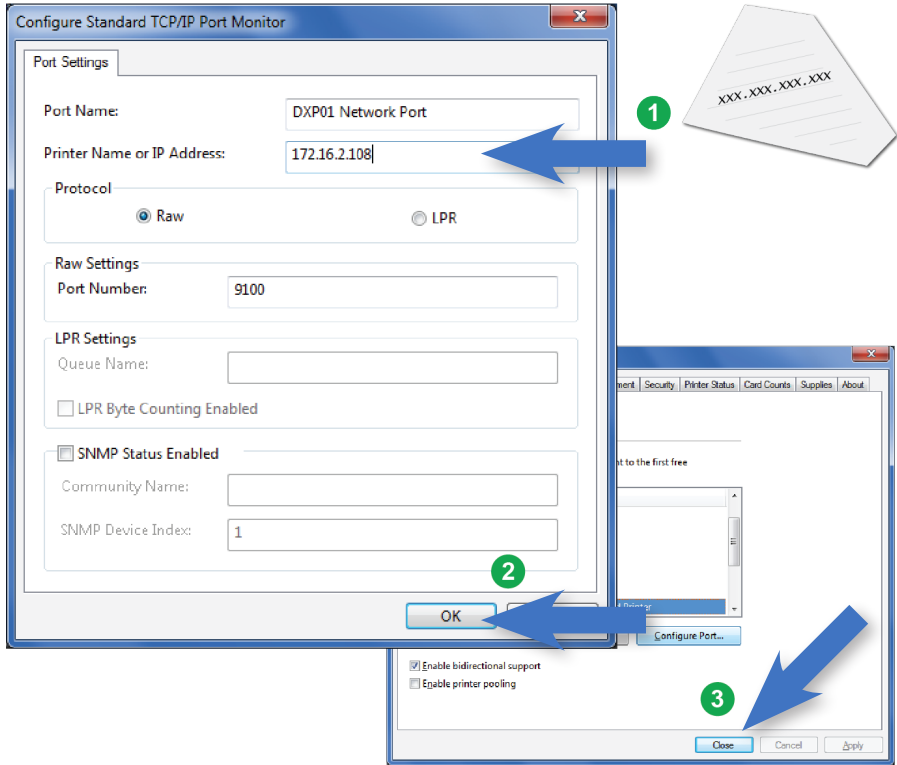
4d



Step 4 (Network): Install a Network Printer—cont.

Network

4e



Go To “Step 5: Print a Sample Card” on page 12.

Step 5: Print a Sample Card

5



Please complete a brief survey about your product installation experience at:
<https://www.datacard.com/datacard-product-installation-report>

Notes



ENTRUST

1187 Park Place

Minneapolis, Minnesota 55379

952.933.1223 • 952.933.7971 Fax

www.entrust.com

Entrust, Sigma and the hexagon design are trademarks, registered trademarks and/or service marks of the Entrust Corporation in the United States and other countries. Datacard is a registered trademark and service mark of Entrust Corporation in the United States and other countries. All other trademarks are the property of their respective owners.

© 2012 - 2020. The design and information contained in these materials is protected