



# ENTRUST

## Quick Install Guide

---

**SD260L™ Card Printer**

**SD360™ Card Printer**

**SD460™ Card Printer**

# SD260L, SD360, SD460 Card Printer

---

**WARNING:** This product contains chemicals, including lead, known to the State of California to cause cancer, and birth defects or other reproductive harm.

***Wash hands after handling.***



**WARNING:** This product can expose you to chemicals including Di(2-ethylhexyl)phthalate (DEHP), which is known to the State of California to cause cancer, and Di(2-ethylhexyl)phthalate (DEHP) and Butyl benzyl phthalate (BBP), which are known to the State of California to cause birth defects or other reproductive harm. For more information, go to [www.P65Warnings.ca.gov](http://www.P65Warnings.ca.gov) and [www.datacard.com/califpropwarning](http://www.datacard.com/califpropwarning).



Contents

Step 1: Prepare the Printer ..... 4

Step 2: Plug In and Power On the Printer ..... 6

Step 3: Set Up the PC ..... 7

Step 4: Install the Printer

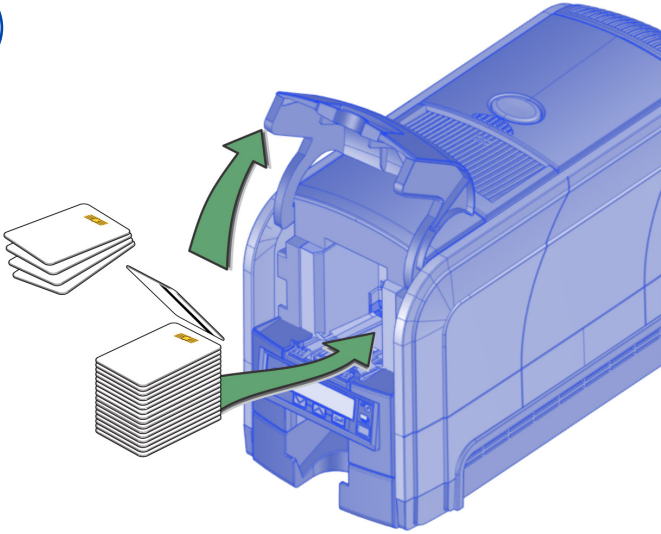
    Install a USB Printer ..... 9

    Install a Network Printer..... 11

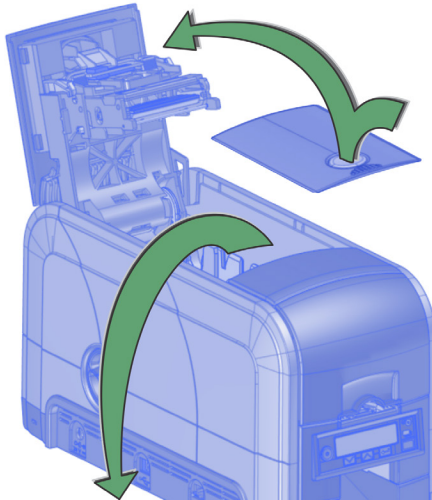
Step 5: Print a Sample Card..... 14

## Step 1: Prepare the Printer

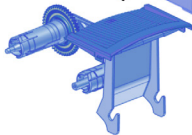
1a



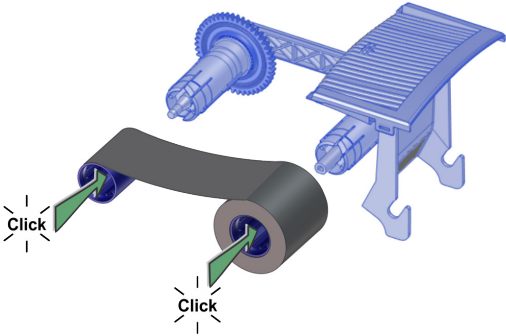
1b



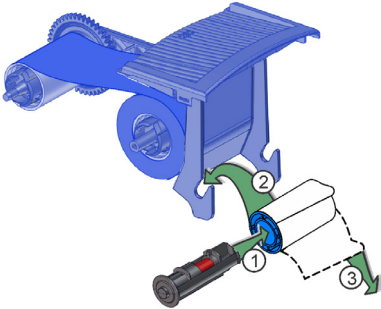
1c



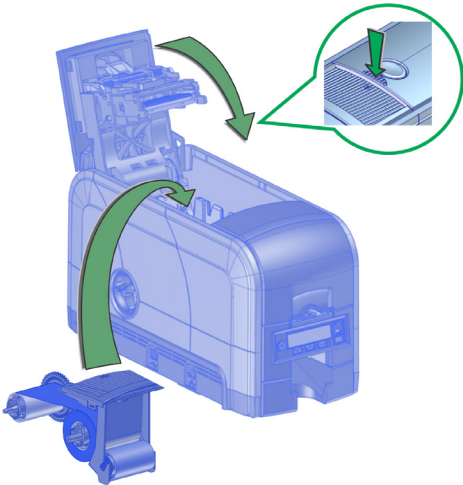
1d



1e



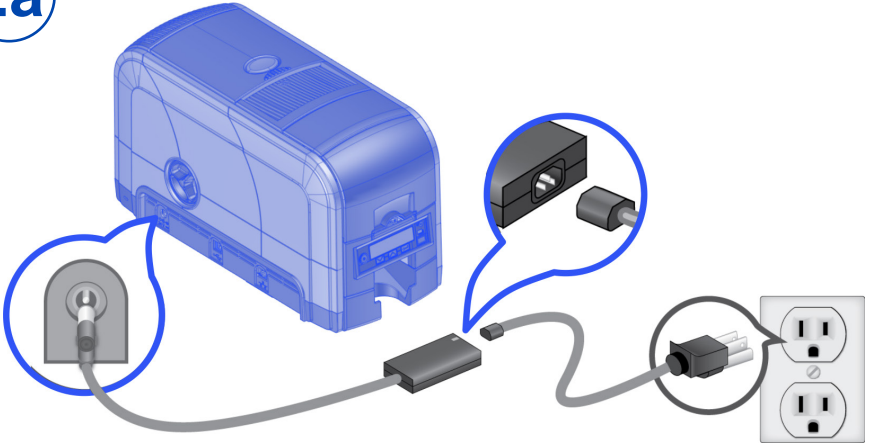
1f



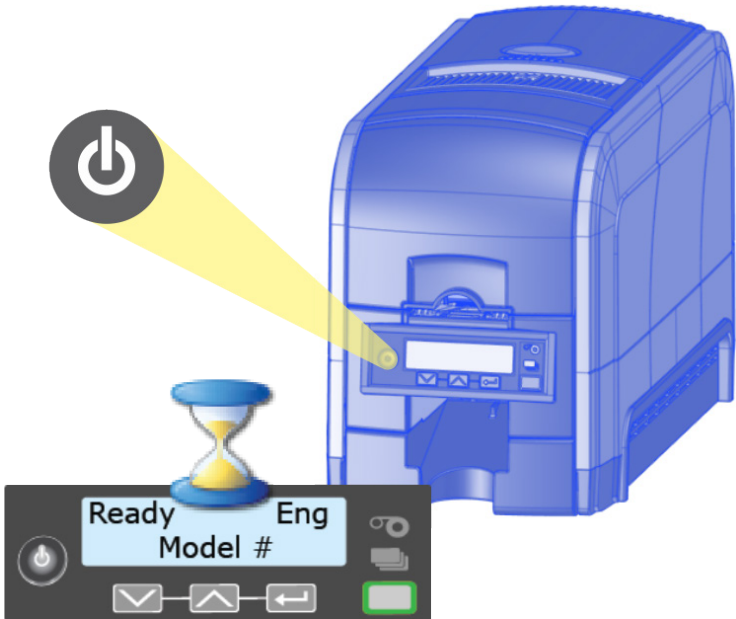
If you are setting up an SD460 system, also refer to the setup instructions shipped in the laminator carton.

## Step 2: Plug In and Power On the Printer

2a



2b



### Step 3: Set Up the PC

3a



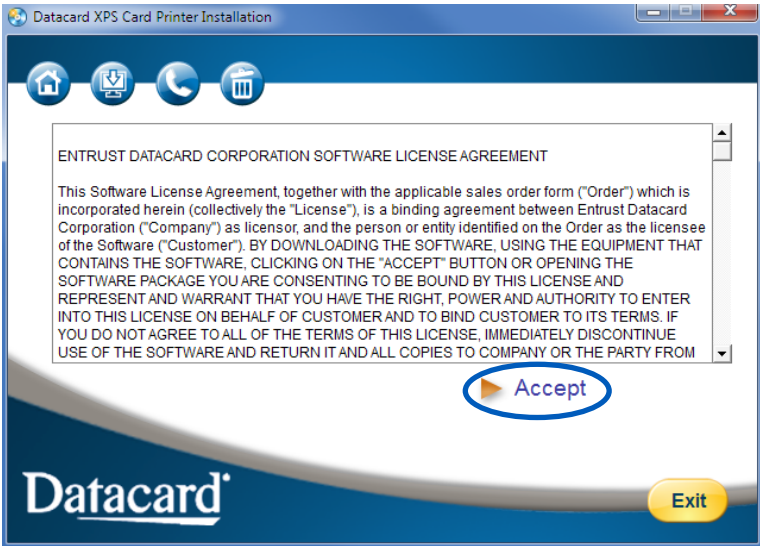
3b



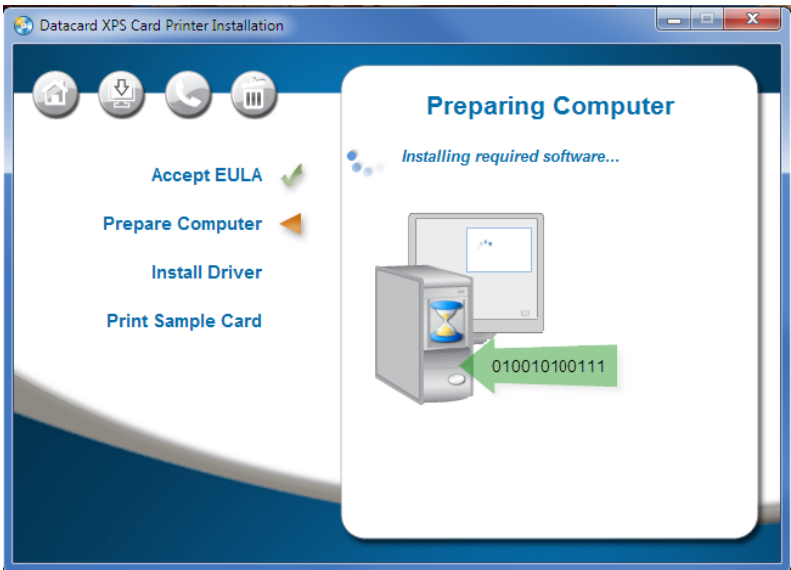
 Do not plug in the USB cable until prompted.

## Step 3: Set Up the PC (cont.)

3c



3d

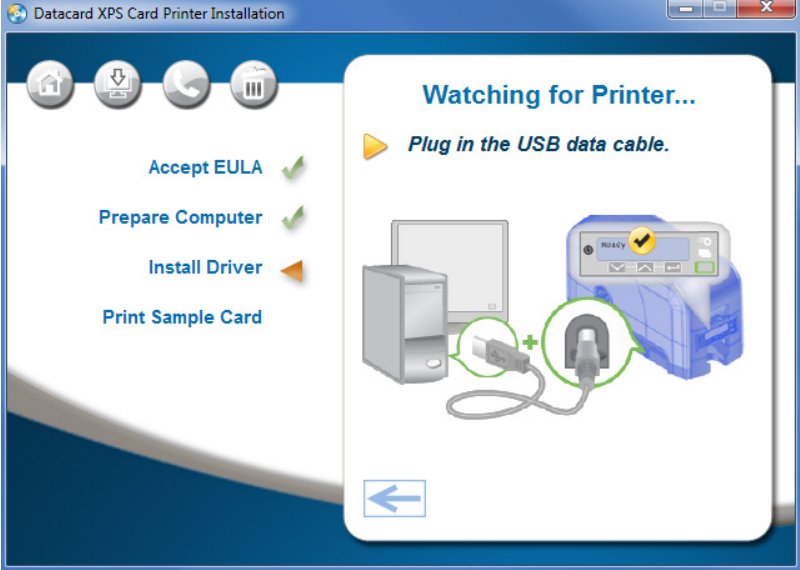


Continue with "Step 4 (USB): Install a USB Printer" on page 9  
OR "Step 4 (Network): Install a Network Printer" on page 11.

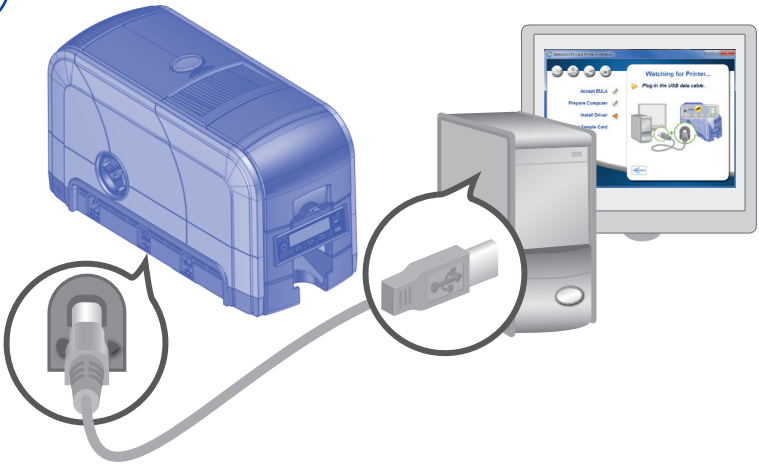


# Step 4 (USB): Install a USB Printer

## 4a USB



## 4b USB



## Step 4 (USB): Install a USB Printer (cont.)

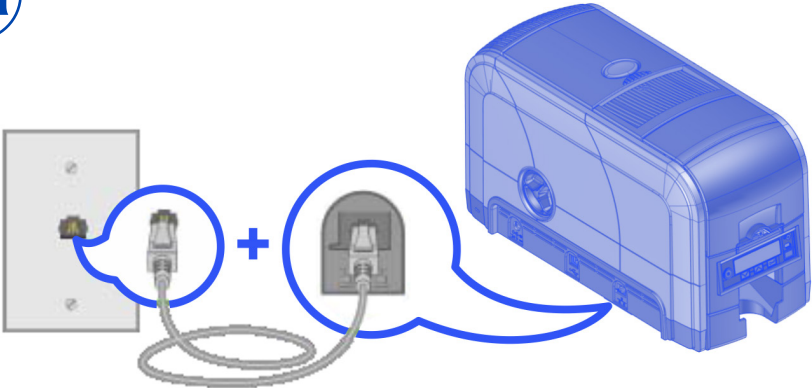
### 4c USB



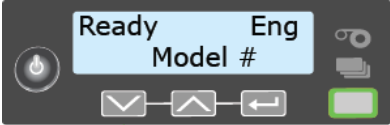
Go to “Step 5: Print a Sample Card” on page 14.

# Step 4 (Network): Install a Network Printer

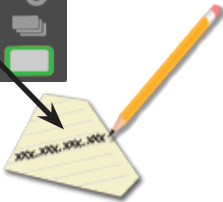
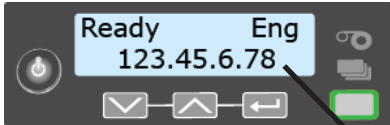
## 4a Network



## 4b Network



2X ↑

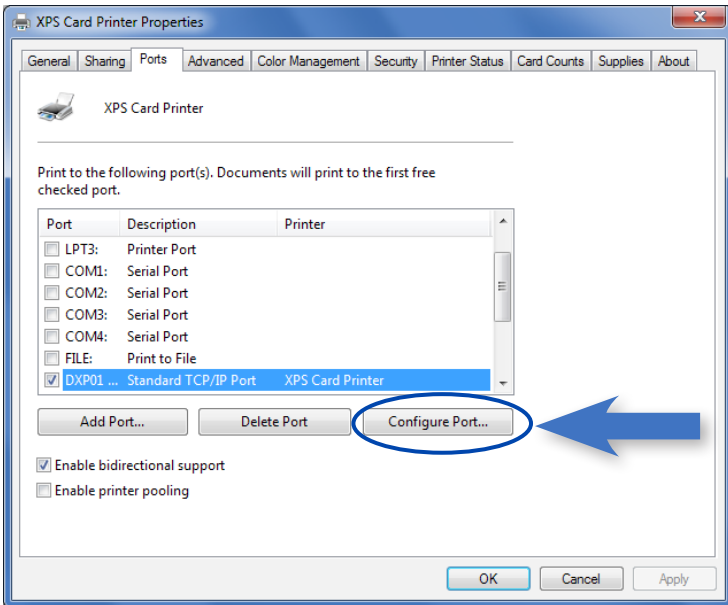


## Step 4 (Network): Install a Network Printer (cont.)

### 4c Network

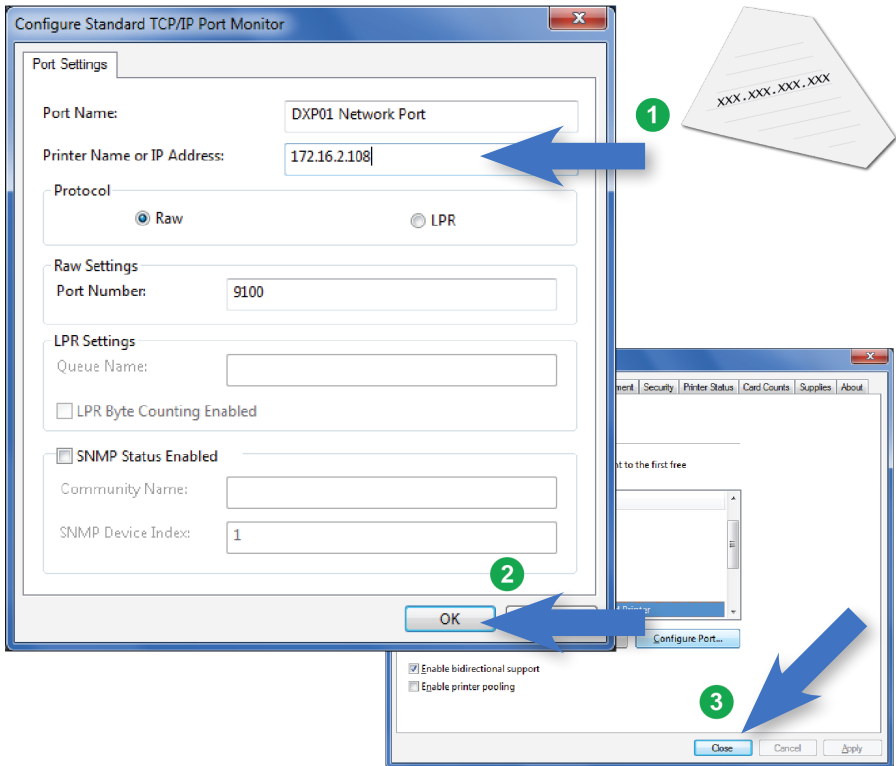


### 4d Network



## Step 4 (Network): Install a Network Printer (cont.)

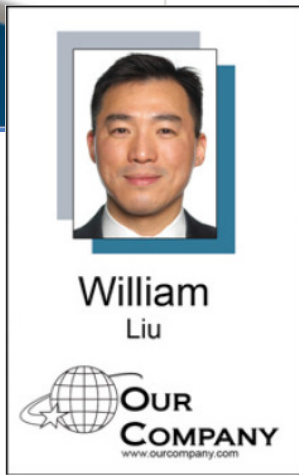
### 4e Network



Go to “Step 5: Print a Sample Card” on page 14.

## Step 5: Print a Sample Card

5



Please complete a brief survey about your product installation experience at:  
<https://www.datacard.com/datacard-product-installation-report>

## Notes



**ENTRUST**

1187 Park Place

Minneapolis, Minnesota 55379

952.933.1223 • 952.933.7971 Fax

[www.entrust.com](http://www.entrust.com)

Entrust, Sigma and the hexagon design are trademarks, registered trademarks and/or service marks of the Entrust Corporation in the United States and other countries. Datacard is a registered trademark and service mark of Entrust Corporation in the United States and other countries. All other trademarks are the property of their respective owners.

© 2012 - 2020. The design and information contained in these materials is protected