



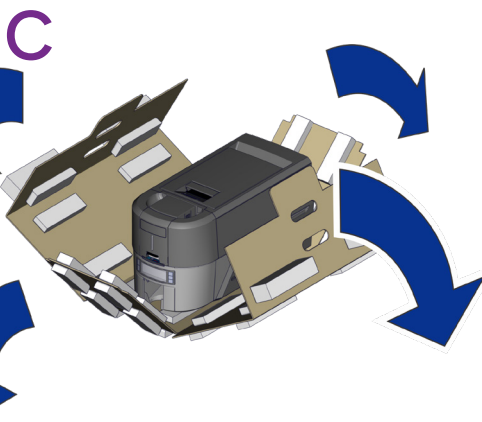
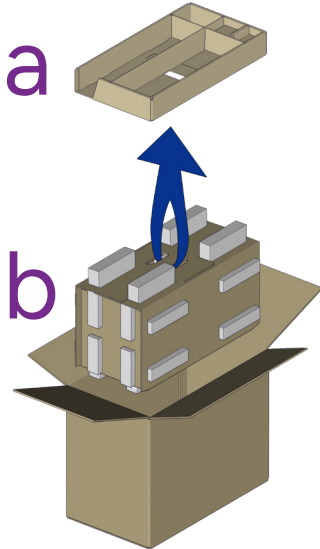
ENTRUST

Sigma DS2C Card Printer Quick Install Guide

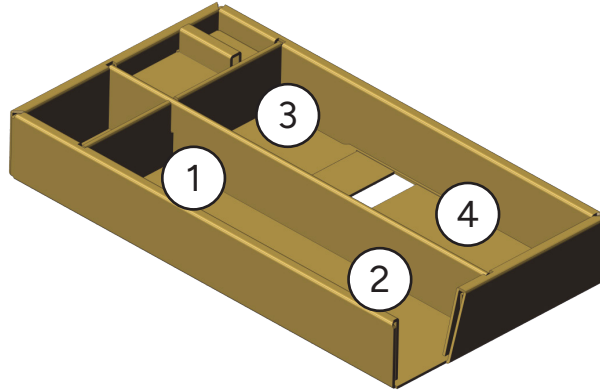


Do not continue unpacking this box until you have read these instructions to set up your Sigma printer.

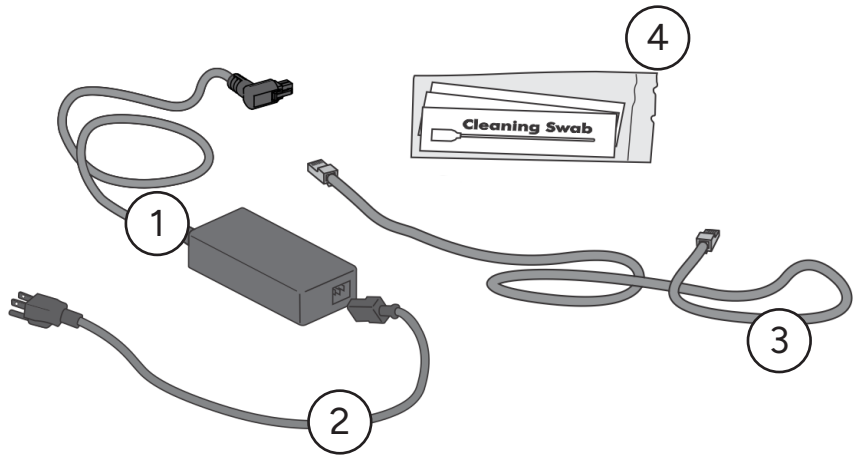
1



d

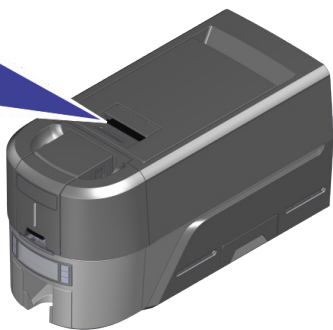
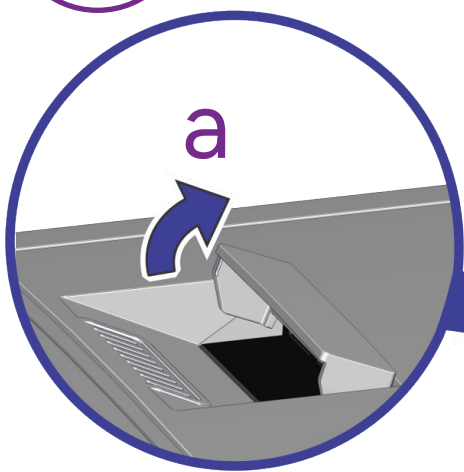


- 1 Power supply
- 2 Power cord
- 3 Ethernet cable
- 4 Cleaning swabs

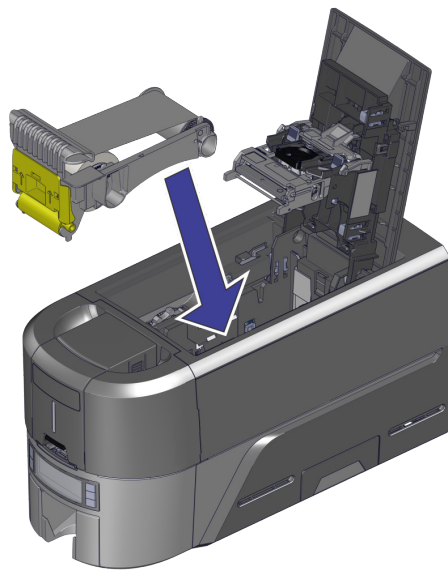


2

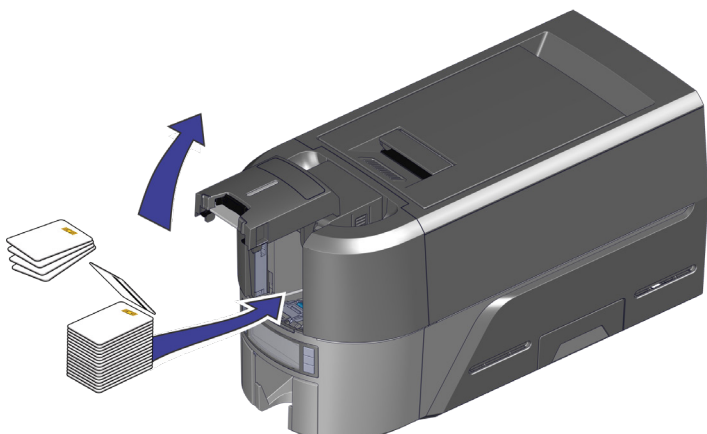
Refer to your ribbon supply box to prepare the ribbon. Important: Keep the IIDaaS Ribbon card found in the supply box.



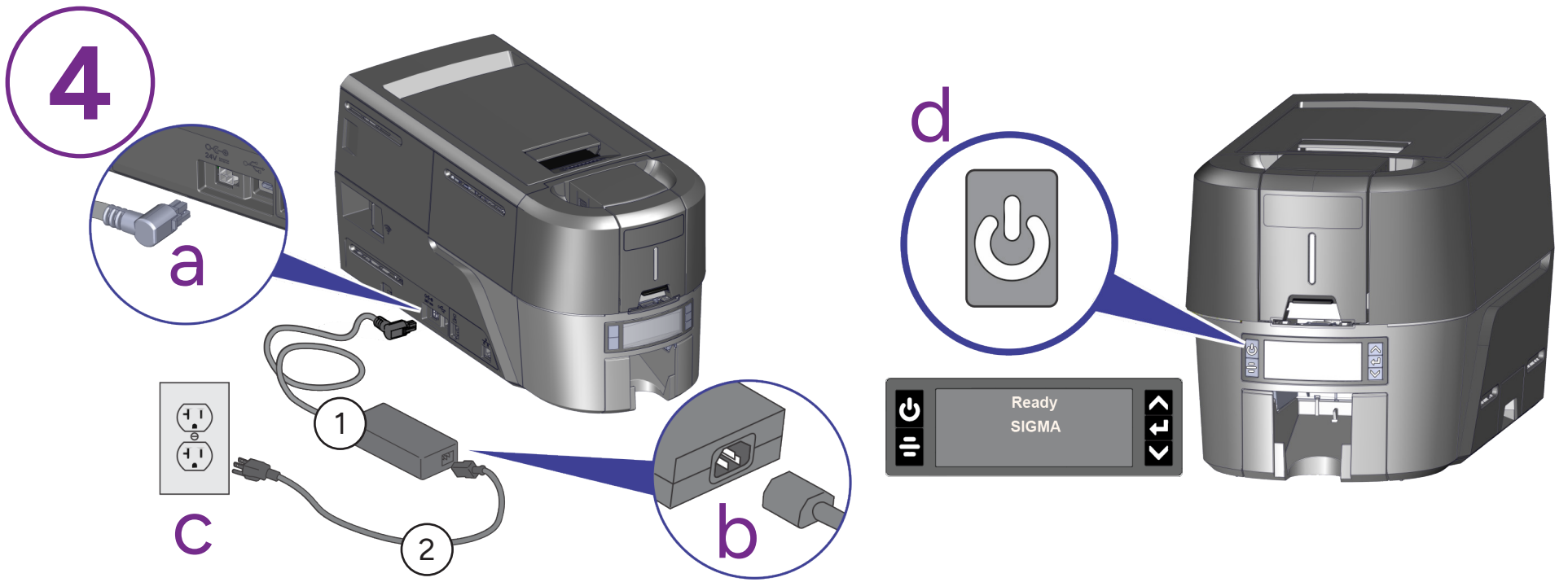
b




3



Continued



5  **Plug in the Ethernet cable, and press the down key on the front panel to view the IP address and auth ID key.**

First time user? Create an account here:
<https://in.entrust.com/InstantIDaaS/CreateAccount/>



After account creation, get started by watching the new account onboarding video here:
<https://www.entrust.com/iidaas-ribbon-onboarding>

Already Have an Existing Account?

After your account is created, IIDaaS Ribbons enable IIDaaS printing when installed in your Sigma printer. No need for product activation or ongoing software renewal, simply reorder IIDaaS Ribbon supplies from your Entrust reseller.



Scan the QR code below or enter the web address to view the DS2C product support page and access a library of user support documents.

Translated user instructions are available for download using the QR code or URL links.
 طباعة URL (QR) أو (URL) قباچتسالا زمر م ادختساب لي زنتلل ةحاتم ةم جرت مل امدختسم ل اتمام عل عت
 Die übersetzten Benutzeranweisungen können über den QR-Code oder die URL-Links heruntergeladen werden.
 Las instrucciones para el usuario traducidas están disponibles para descargar mediante el código QR o los enlaces URL.
 La traduction des instructions d'utilisation peut être téléchargée à l'aide du code QR ou des liens URL.
 翻訳された使用説明書は、QRコードまたはURLリンクを使用してダウンロードできます。
 QR 코드 또는 URL 링크를 통해 번역된 사용자 지침을 다운로드할 수 있습니다.
 As instruções de usuário traduzidas estão disponíveis para download usando o código QR ou links da URL.
 可使用二维码或 URL 链接下载翻译后的用户说明。



- User's Guide
- Installation and Administrator's Guide
- User's Reference Guide
- Warranty
- Translated Documents
- How-to Videos

Safety and Compliance



Scan the QR code or access <https://www.entrust.com/legal-compliance/environmental-product-certifications> for:

- Declaration of Conformity
- Restriction of Hazardous Substances (RoHS)
- REACH Compliance
- Waste Electrical Electronic Equipment Directive (WEEE)
- Proposition 65 Compliance

WARNING: This product contains chemicals, including lead, known to the State of California to cause cancer, and birth defects or other reproductive harm. Wash hands after handling.

WARNING: This product can expose you to chemicals including Di(2-ethylhexyl)phthalate (DEHP), which is known to the State of California to cause cancer, and Di(2-ethylhexyl)phthalate (DEHP) and Butyl benzyl phthalate (BBP), which are known to the State of California to cause birth defects or other reproductive harm. For more information, go to www.P65Warnings.ca.gov.

RoHS Table

Model: PX40
 型号: PX40

Marketing names/销售名称

Entrust EM1, Entrust EM2, Entrust Sigma DS1, Entrust Sigma DS2, Entrust Sigma DS3, Entrust Sigma DS4 or other alpha-numeric characters denoting the marketing name may be included.

有毒有害物质名称及含量的标识格式

零件名称 Part names	有毒有害物质或元素					
	铅 (Pb)	汞 (Hg)	镉 (Cd)	六价铬 (Cr+6)	多溴联苯 (PBB)	多溴二苯醚 (PBDE)
Power cord 电源线	o	o	o	o	o	o
Enclosure 机箱	o	o	o	o	o	o
Power Supplies 电源	x	o	o	o	o	o
Motors 电动机	x	o	o	o	o	o
Print Head 打印头	x	o	o	o	o	o
Circuit Boards 线路板组	x	o	o	o	o	o
Chassis 机架	o	o	o	o	o	o
Batteries 电池	o	o	o	o	o	o

本表格依据 SJ/T 11364 的规定编制

O = 表示该有害物质在该部件所有均质材料中的含量均在 GB/T 26572 规定的限量要求以下 (indicates that the content of the toxic and hazardous substance in all the Homogeneous Materials of the part is below the concentration limit requirement as described in GB/T 26572).

X = 表示该有害物质至少在该部件的某一均质材料中的含量超出 GB/T 26572 规定的限量要求 (indicates that the content of the toxic and hazardous substance in at least one Homogeneous Material of the part exceeds the concentration limit requirement as described in GB/T 26572).