



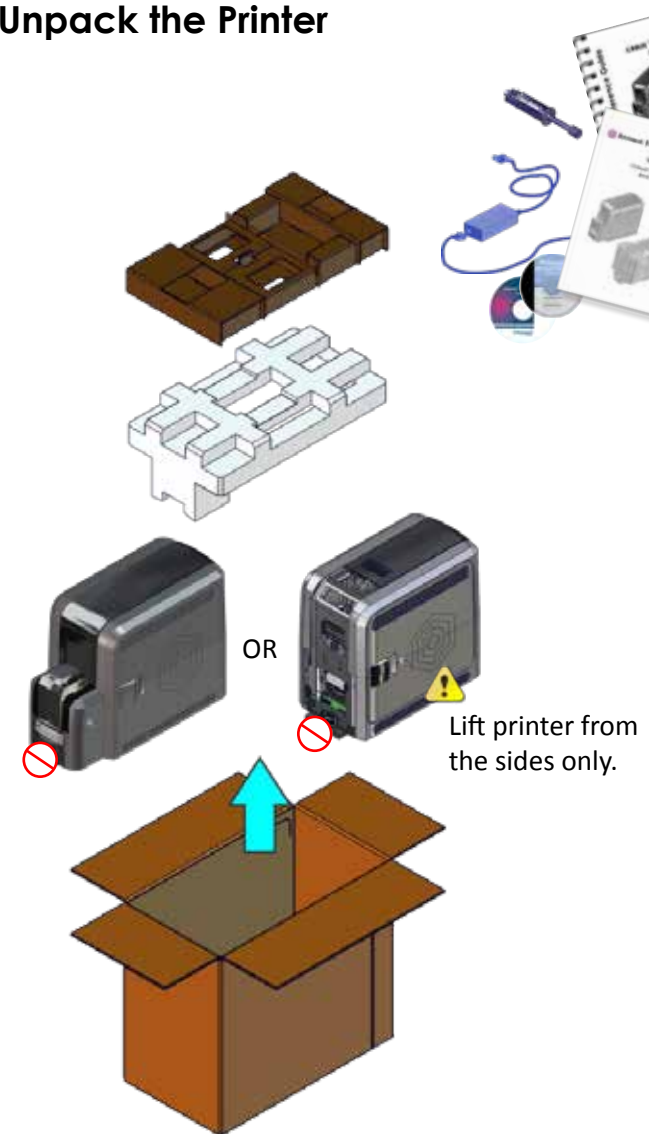
## Quick Install Guide

Entrust Datacard™ CR805™  
Retransfer Card Printer



For detailed installation instructions, refer to the *CR805 Retransfer Card Printer Installation and Administrator's Guide*.

### 1 Unpack the Printer

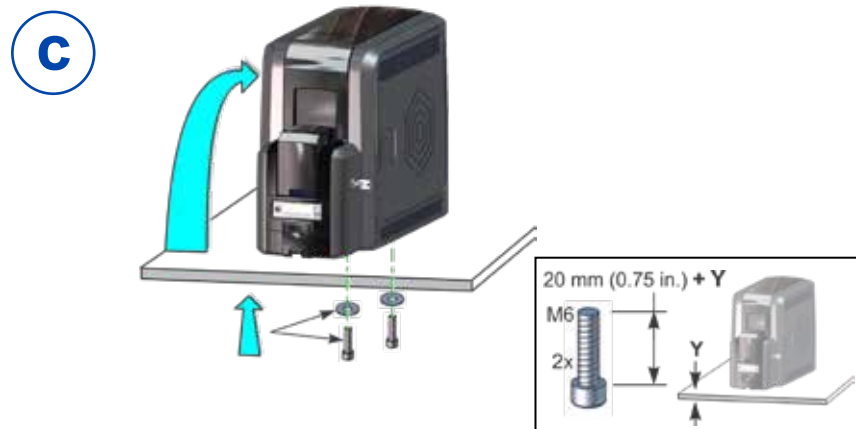
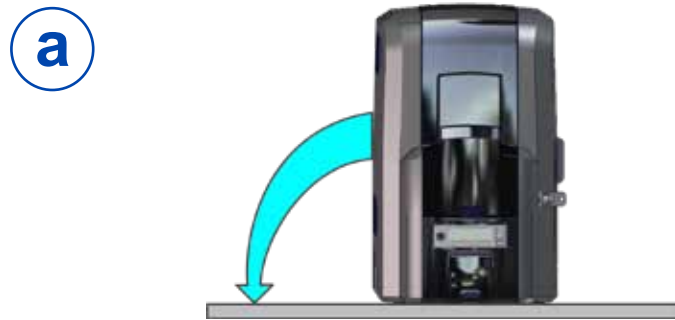


**WARNING:** This product contains chemicals, including lead, known to the State of California to cause cancer, and birth defects or other reproductive harm.

**Wash hands after handling.**

**!** **WARNING:** This product can expose you to chemicals including Di(2-ethylhexyl)phthalate (DEHP), which is known to the State of California to cause cancer, and Di(2-ethylhexyl)phthalate (DEHP) and Butyl benzyl phthalate (BBP), which are known to the State of California to cause birth defects or other reproductive harm. For more information, go to [www.P65Warnings.ca.gov](http://www.P65Warnings.ca.gov) and [www.datacard.com/califpropwarning](http://www.datacard.com/califpropwarning).

## 2 Secure the Printer (Optional)

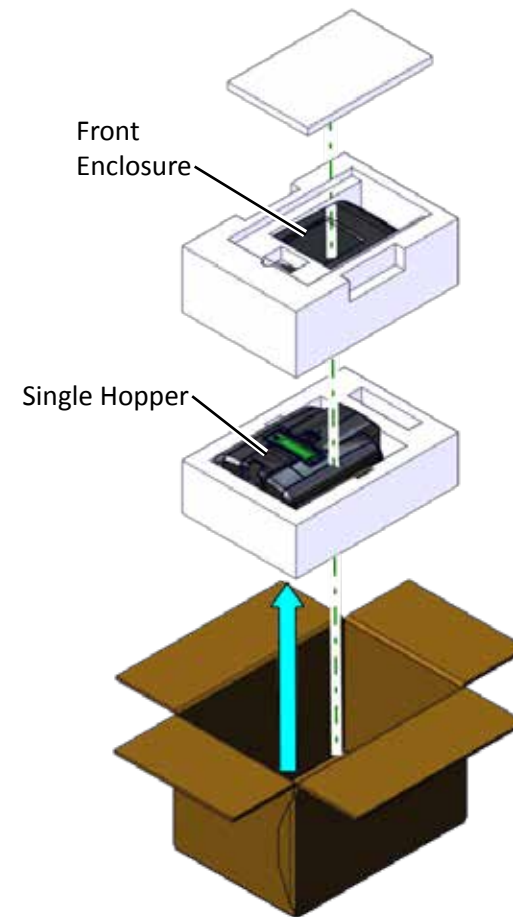


## 3 Install the Input Hopper

“Single-Hopper Printer (Optional)” –OR–  
 “Multi-Hopper Printer (Optional)” on page 5

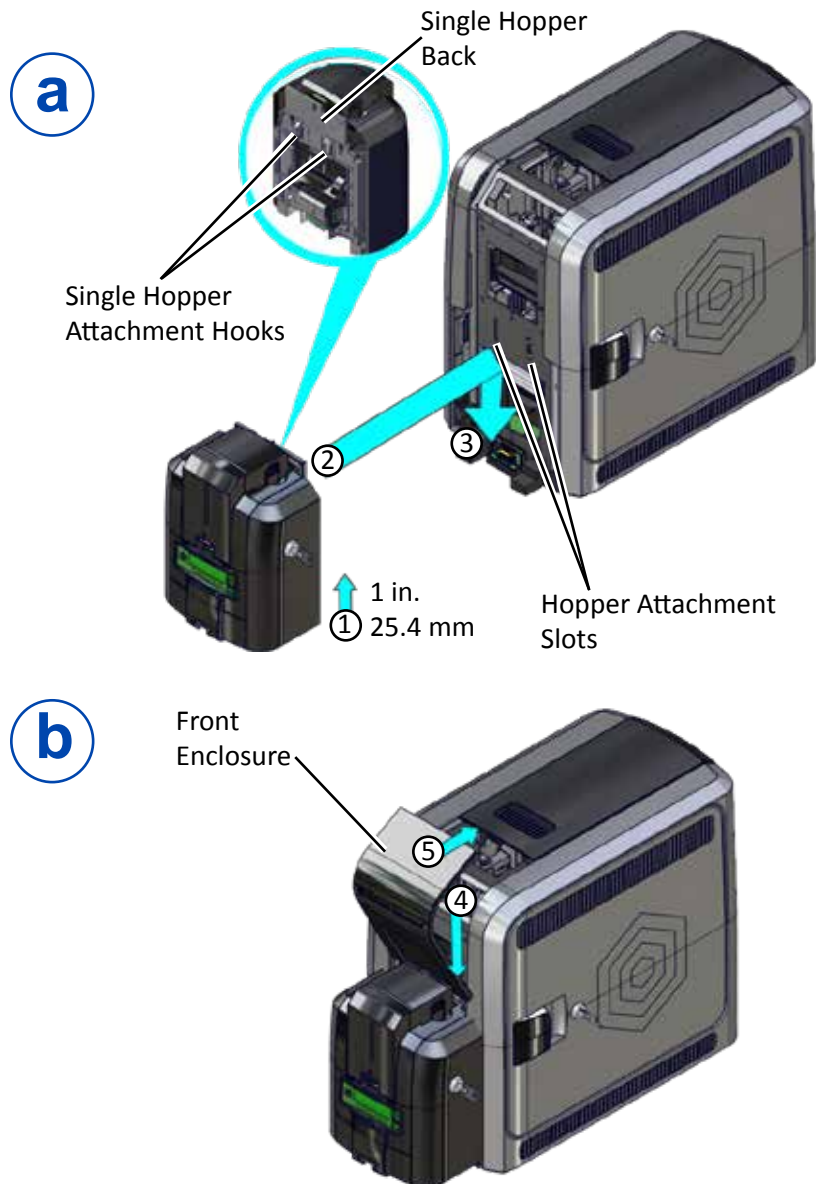
### Single-Hopper Printer (Optional)

1. Unpack the single hopper



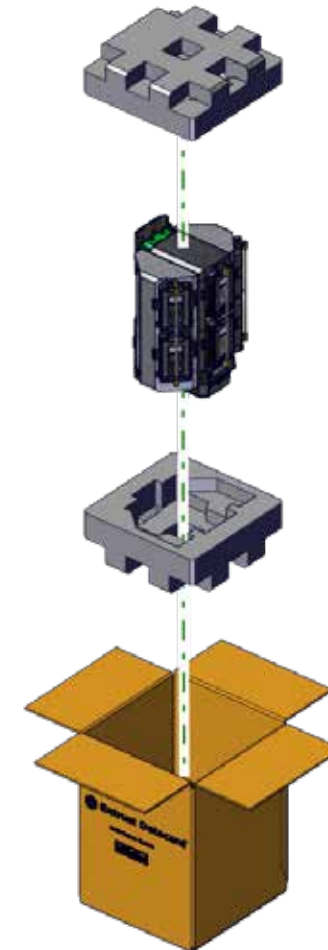
## Single-Hopper Printer (cont.)

2. Assemble the single-hopper printer



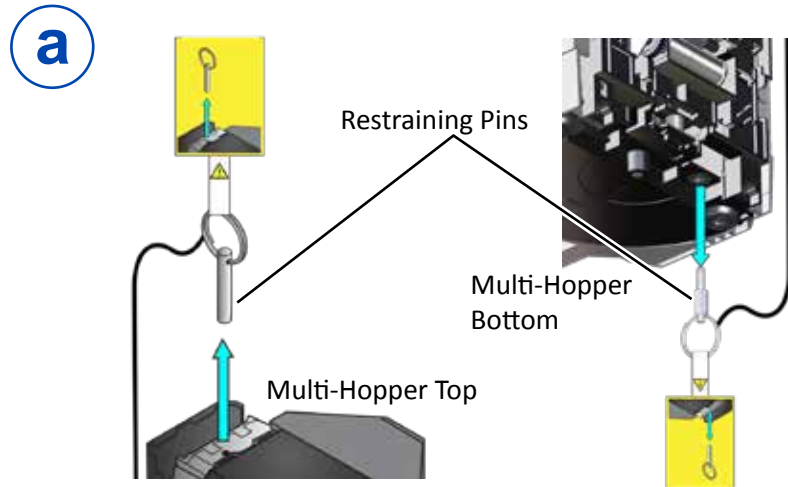
## Multi-Hopper Printer (Optional)

1. Unpack the multi-hopper

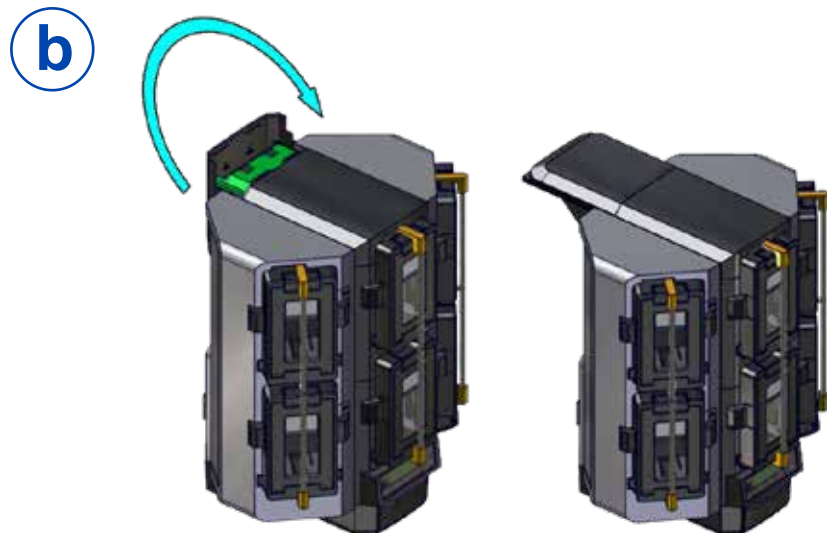


**Multi-Hopper Printer (cont.)**

2. Prepare the multi-hopper

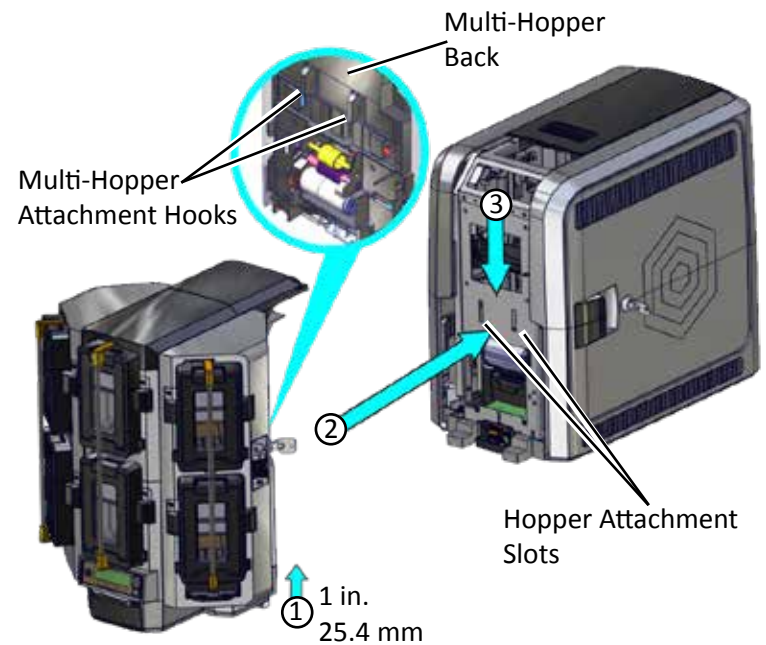


**i** Save the restraining pins after removing them from the multi-hopper. They are required if you need to repackage and return the multi-hopper for service.

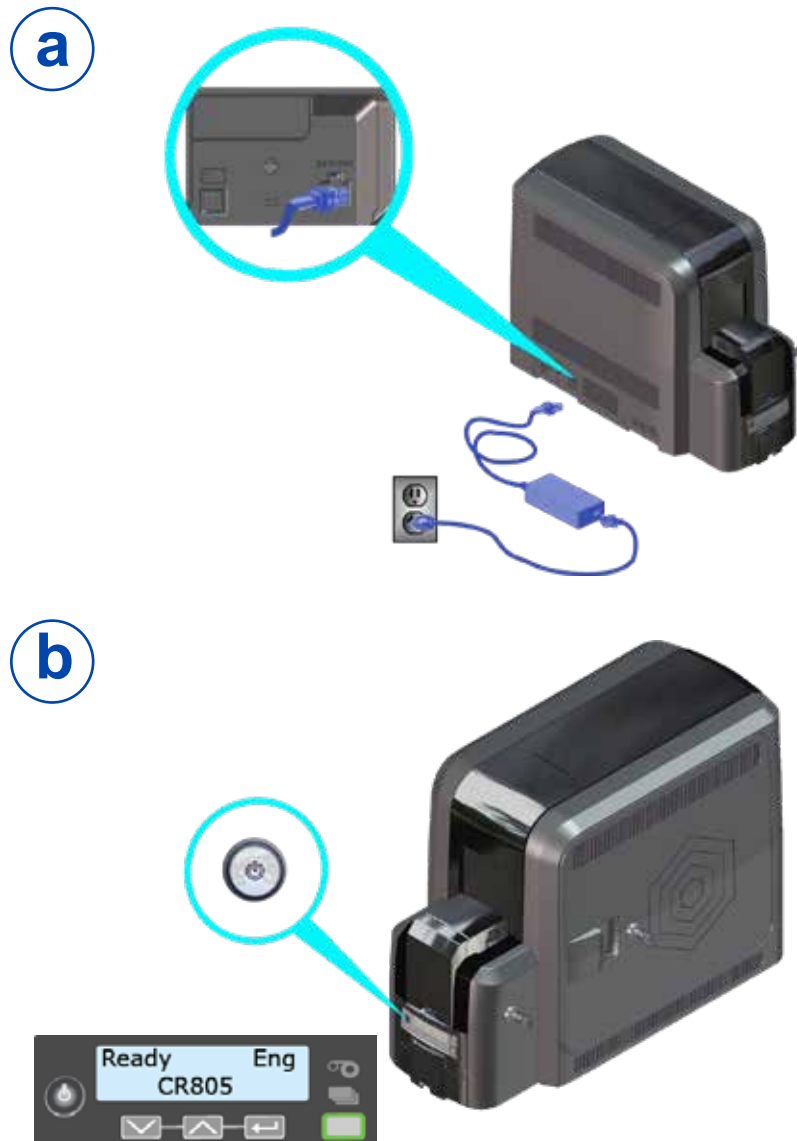


**Multi-Hopper Printer (cont.)**

3. Assemble the multi-hopper printer



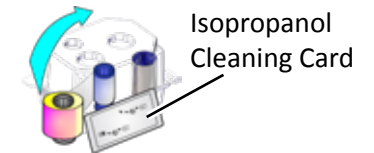
## 4 Plug In and Power On the Printer



## 5 Clean the Printer

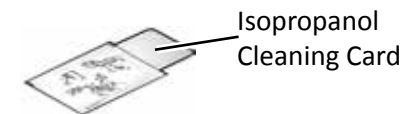
Remove the isopropanol cleaning card from the ink ribbon package. Continue with:

“Single-Hopper Printer” –OR–  
“Multi-Hopper Printer” on page 10



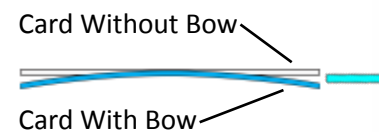
### Single-Hopper Printer

**a** Remove the cleaning card from its package.



**b** Load the cleaning card in the input hopper.

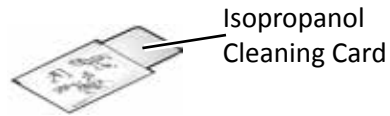
If the cleaning card appears bowed, insert it as shown.



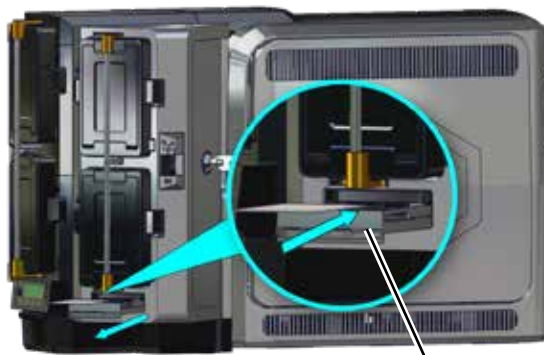
**c** Continue with “Start the Cleaning Cycle” on page 11.

Multi-Hopper Printer

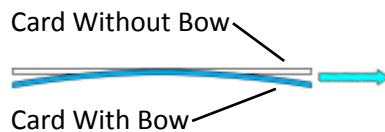
- a** Remove the cleaning card from its package.



- b**
1. Pull out the multi-hopper exception slide and insert the cleaning card.
  2. Push in the exception slide.



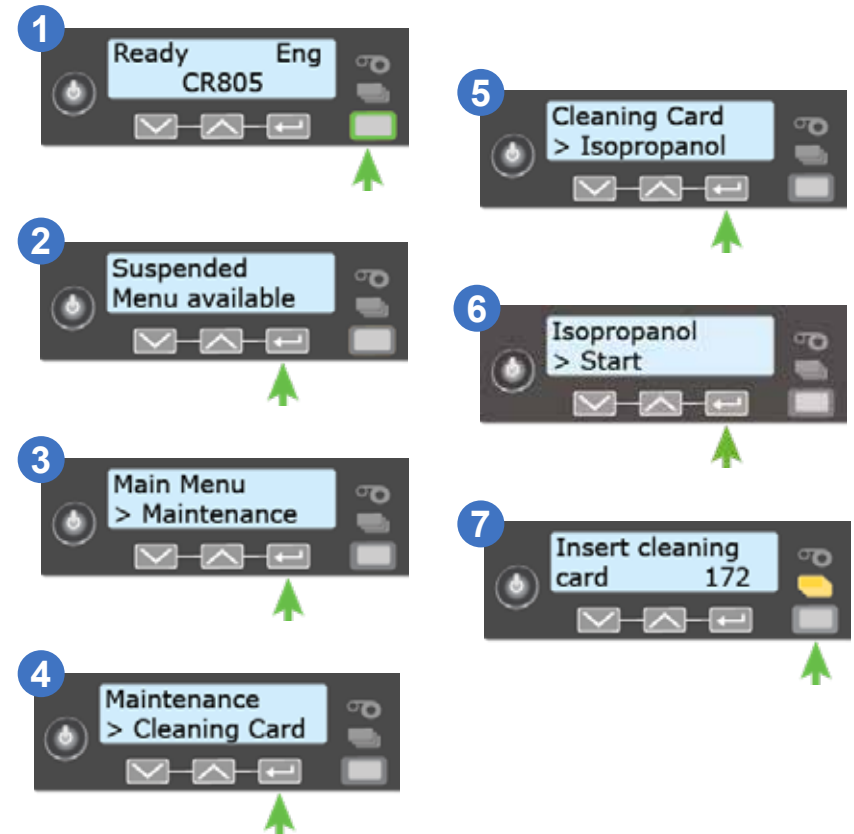
If the cleaning card appears bowed, insert it as shown.



Exception Slide

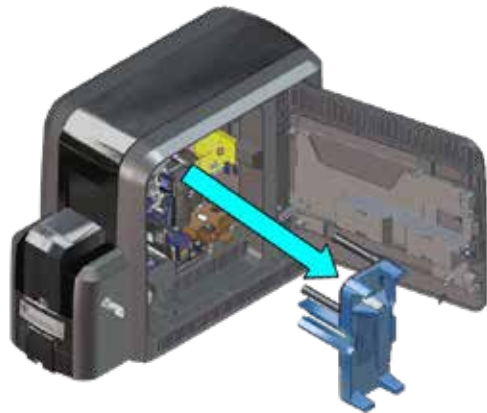
- c** Continue with “Start the Cleaning Cycle” on page 11.

Start the Cleaning Cycle

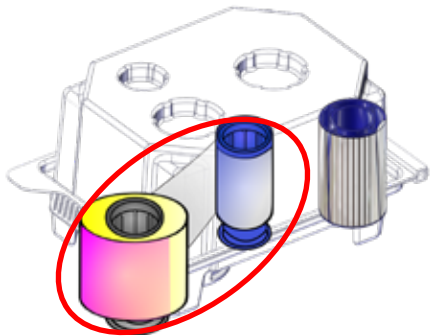


# 6 Install the Ink Ribbon

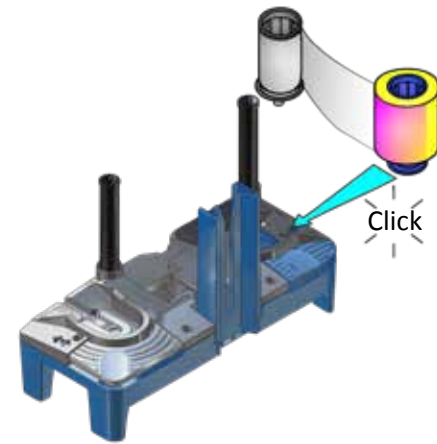
a



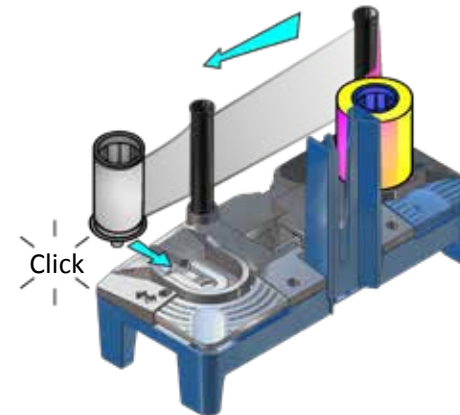
b



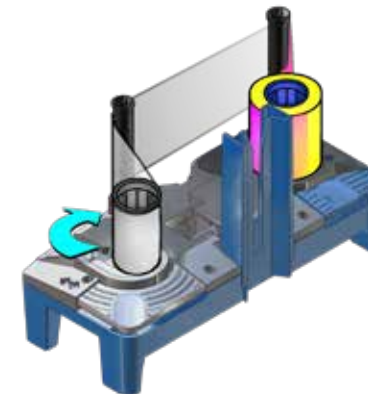
c



d

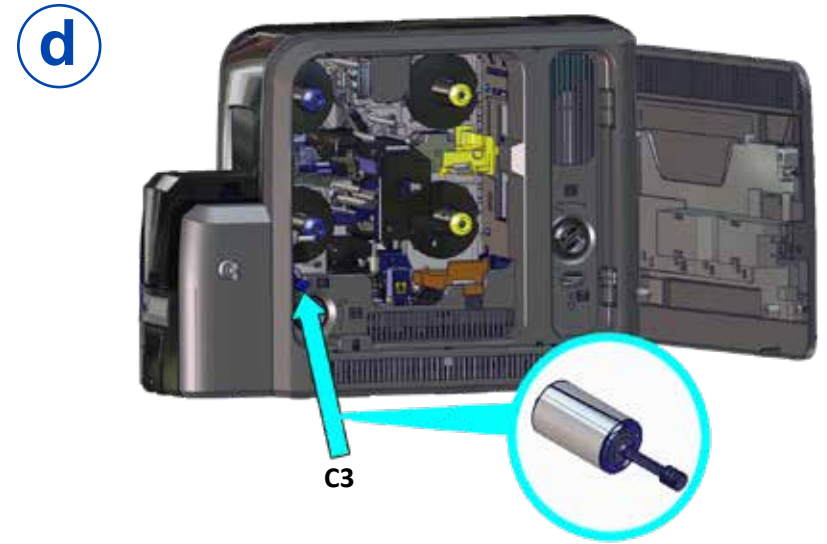
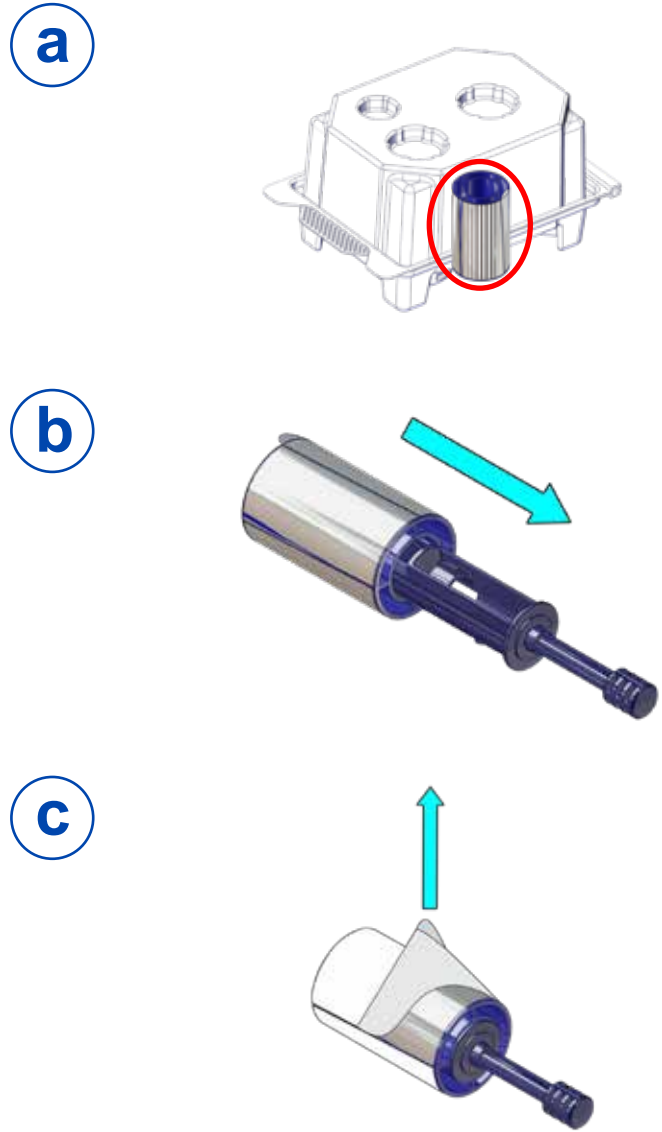


e

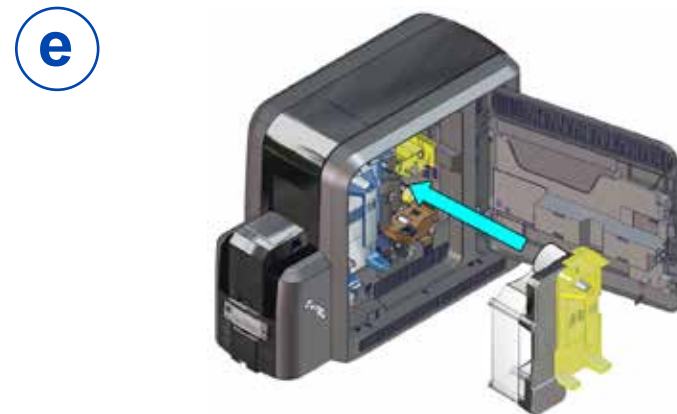
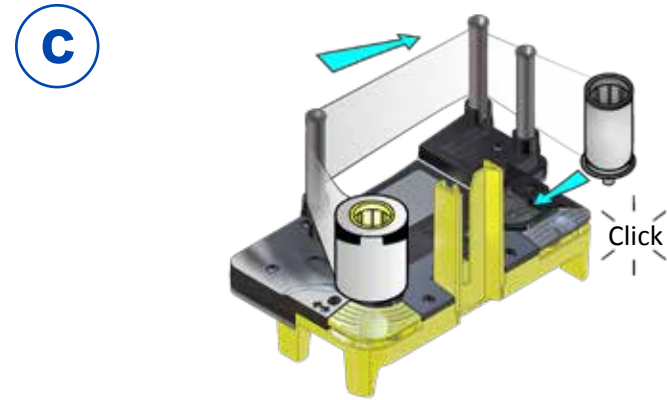
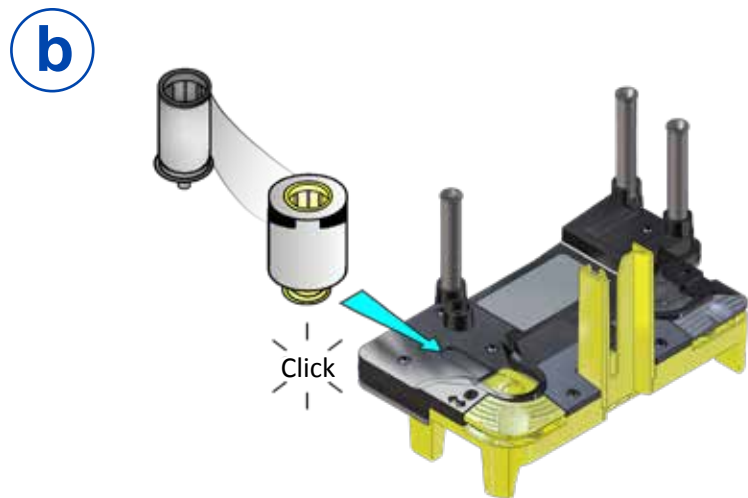
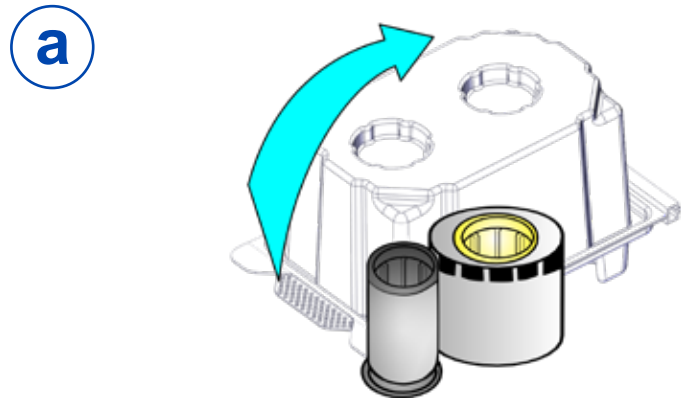




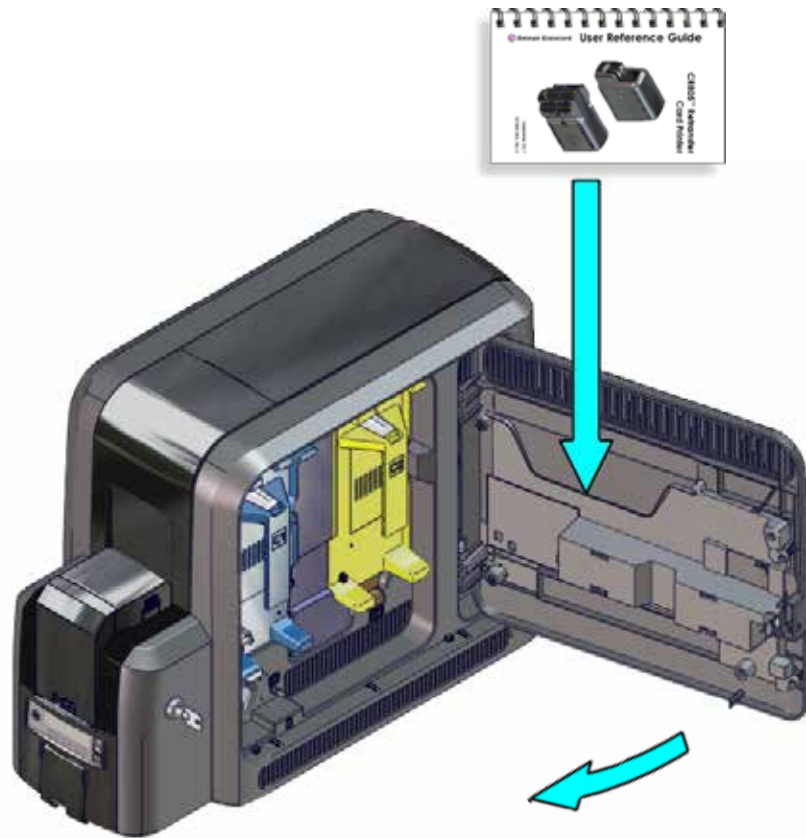
# 7 Install the Cleaning Sleeve



# 8 Install the Retransfer Film



## 9 Store the User Reference Guide

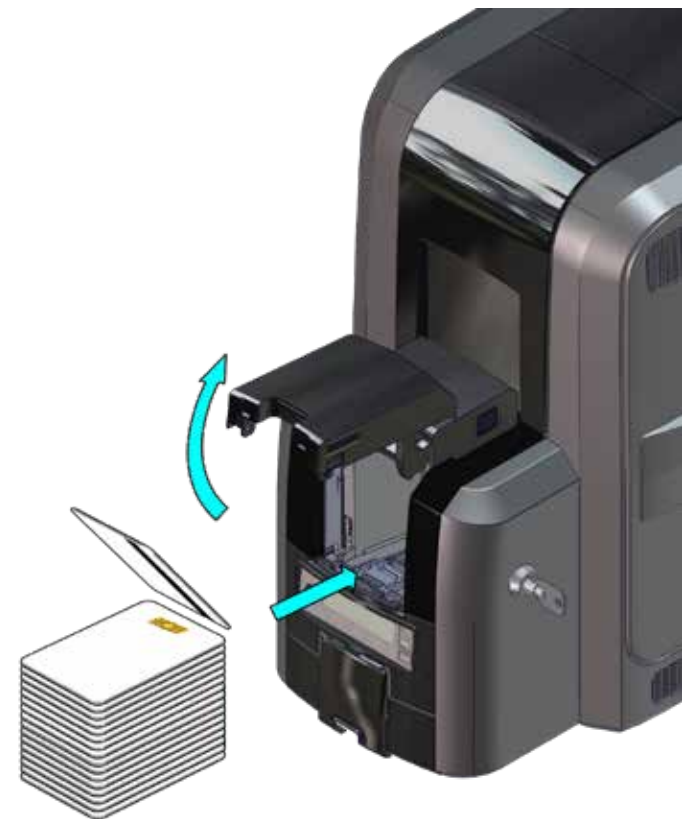


## 10 Load Cards

“Single-Hopper Printer”

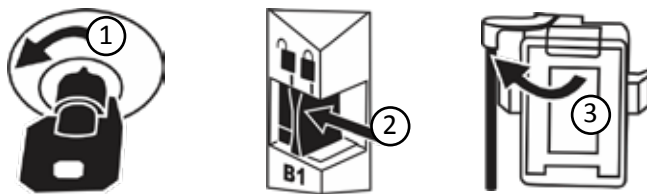
“Multi-Hopper Printer” on page 20

### Single-Hopper Printer

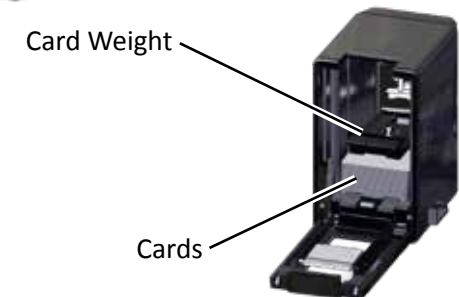
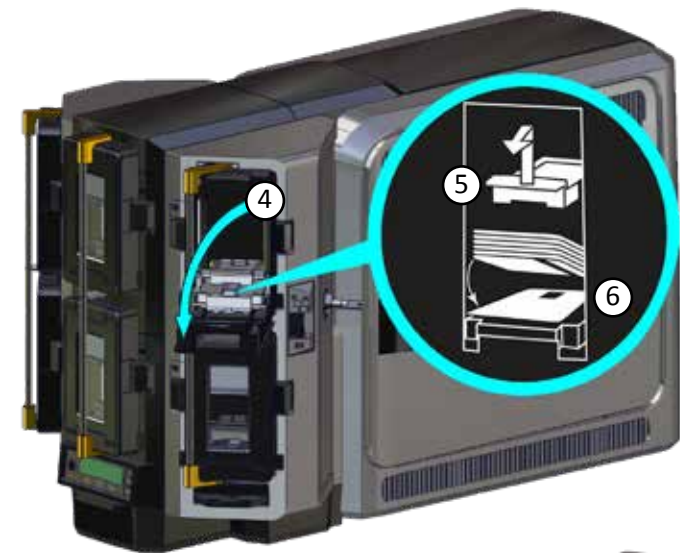


## Multi-Hopper Printer

- a**
1. Unlock the multi-hopper lock.
  2. Slide the lock bar release button (B1) to the left.
  3. Rotate a lock bar to the left.



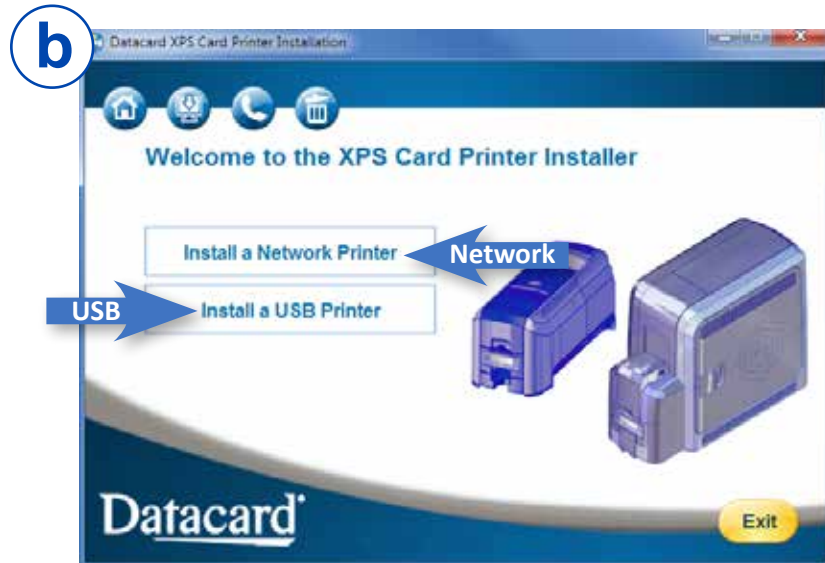
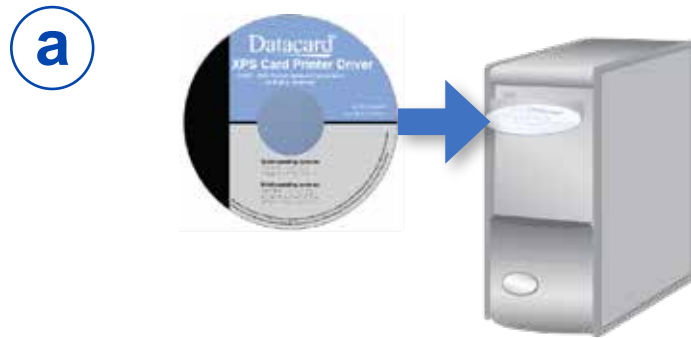
- b**
4. Press the cartridge release button at the top of the cartridge and open the cartridge door.
  5. Lift the card weight to the top of the cartridge and pull it forward until it locks in position.
  6. Load the cards into the cartridge.
  7. Close the cartridge door to release the card weight so that it rests on top of the cards.



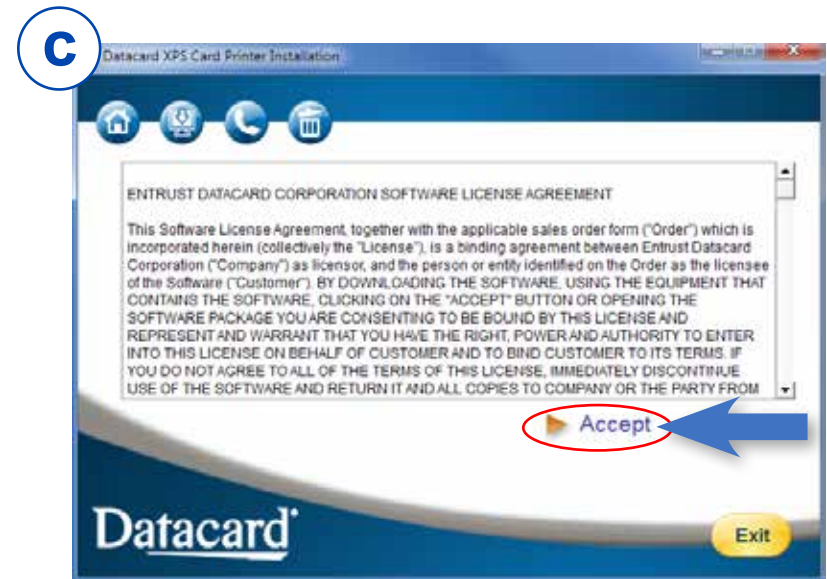
8. Repeat for each input hopper cartridge.
9. Return all locks to the locked position when finished.

# 11 Install the Card Printer Driver

**i** If you plan to use Datacard® TruCredential™ Suite Software with a USB-connected printer, you must install the Card Printer Driver to establish the initial communication path to the printer.



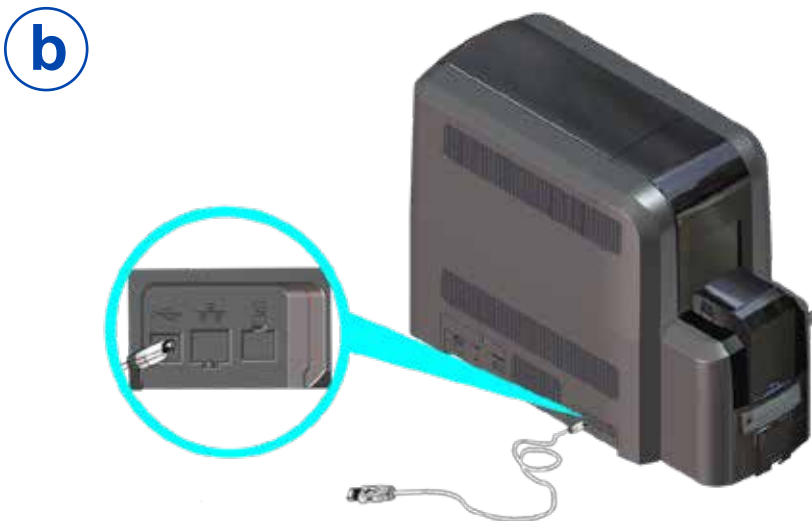
**!** Do not plug in the USB cable until prompted.



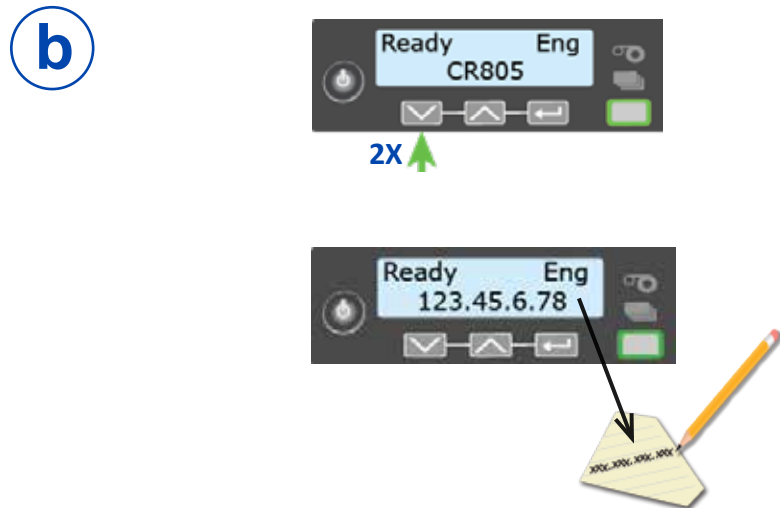
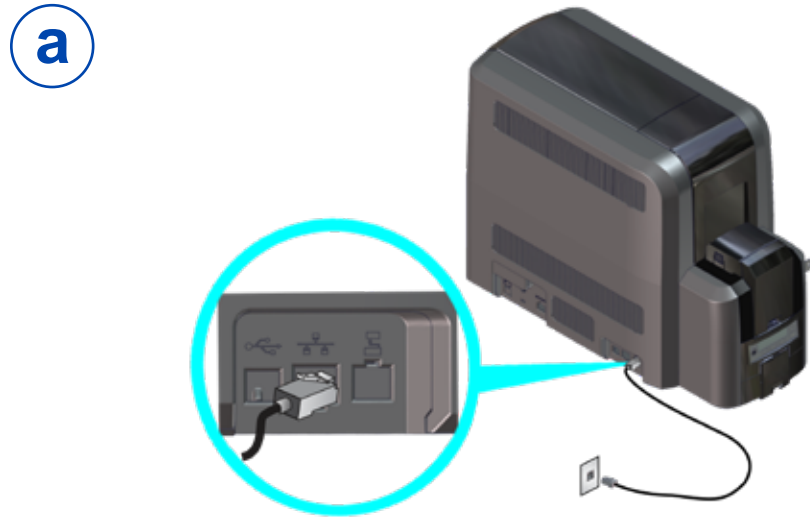
Continue with:  
 "USB Printer" on page 24 –OR–  
 "Network Printer" on page 26

USB Printer

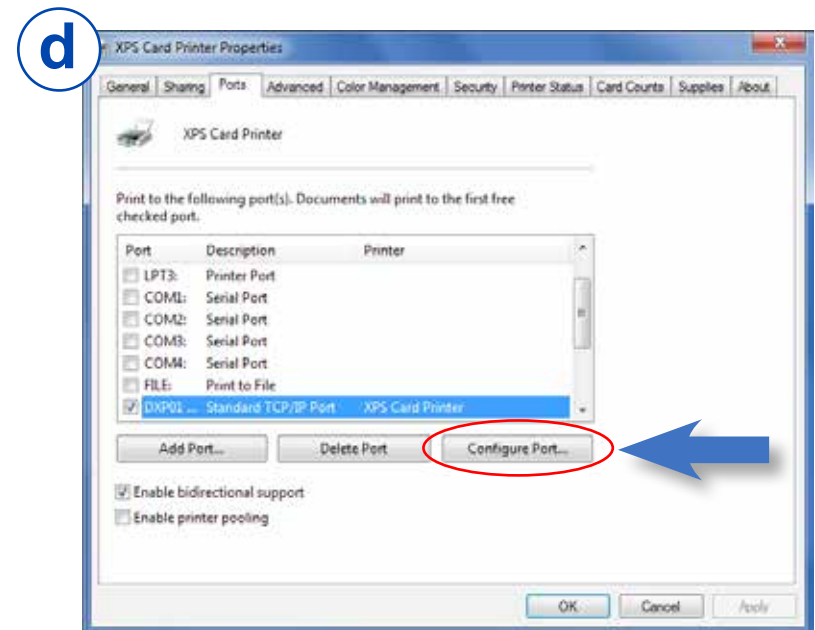
USB Printer



Network Printer

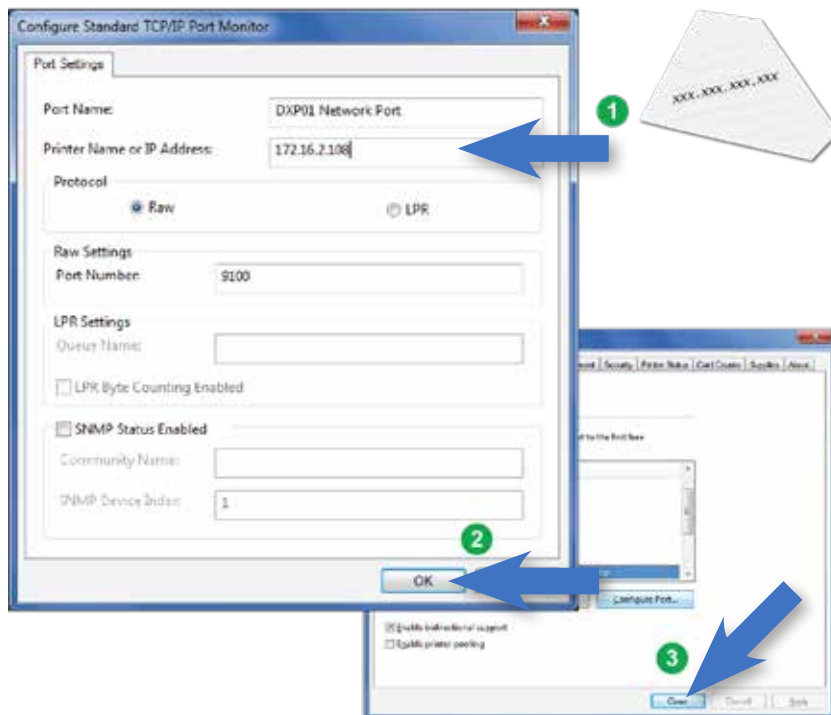


Network Printer



Network Printer

e



f



If you also are installing a CLM laminator with the printer, refer to the *CR805 Retransfer Card Printer CLM Laminator Quick Install and Upgrade Guide*, shipped in the laminator carton.

Please complete a brief survey about your product installation experience at:  
<https://www.datacard.com/datacard-product-installation-report>





1187 Park Place  
Shakopee, Minnesota 55379  
952.933.1223 • 952.933.7971 Fax  
[www.entrustdatacard.com](http://www.entrustdatacard.com)

Datacard is a registered trademark and service mark of Entrust Datacard Corporation, and Entrust is a registered trademark and service mark, in the United States and other countries. All other trademarks are the property of their respective owners.

© 2016-2019. The design and information contained in these materials is protected by US and international copyright law.