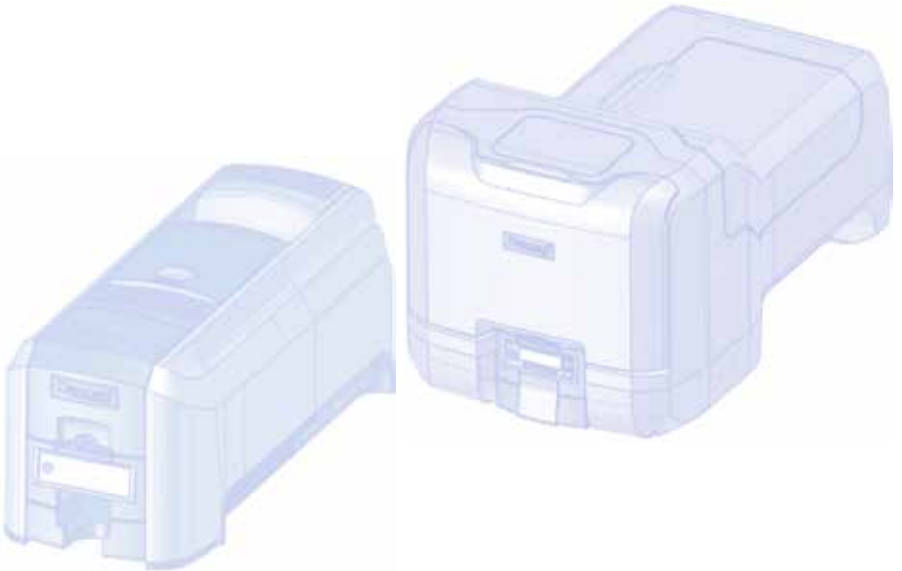




ENTRUST

CD800™ Card Printer

Quick Install Guide



Refer to the printer's *Installation and Administrator's Guide*, found on the *Owner's Library* CD, for detailed installation instructions.

The latest firmware and user documentation for your CD800 printer is available for download at www.entrust.com.

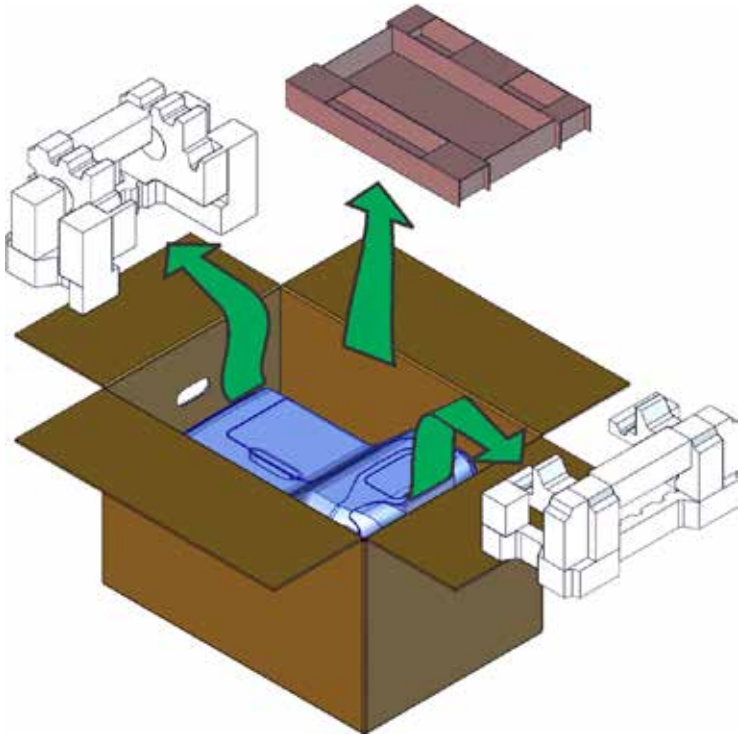
1. Select a Location for the Printer

- Install the printer in a location that is clean and well ventilated, free of vibration or shock.
- For venting and clearance, choose an area that's large enough for your printer configuration based on its options. Refer to the site requirements in the printer's *Installation and Administrator's Guide*.
- Do not install the printer in direct sunlight.
- Install the system in a secure location.
- Install the system in a location that has access to an AC outlet and a network port (if you are using a network connection).
- If you also are installing a CLM laminator with the printer, refer to the *CD Series Printers CLM Laminator Quick Install and Upgrade Guide*, shipped in the laminator carton.

2. Set Up the Printer

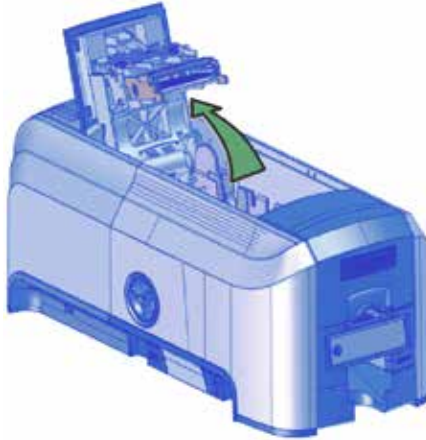
- a. Remove the printer from its shipping carton.

Refer to the following illustration if the printer has the optional multi-hopper.



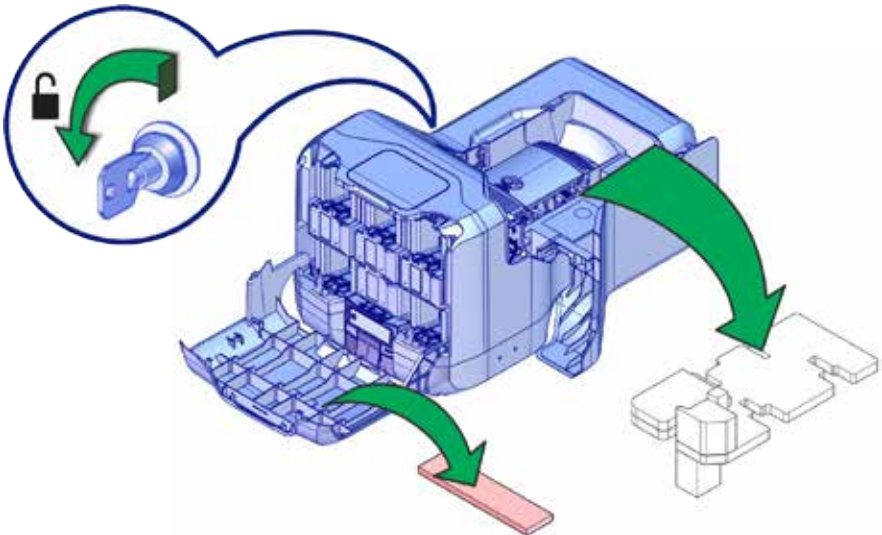
CD800 Card Printer Quick Install Guide

- b. Unlock the printer (if necessary) and open the printer cover.



- c. If the printer has the optional multi-hopper, unlock the printer and open the printer supplies access door and the multi-hopper cover.

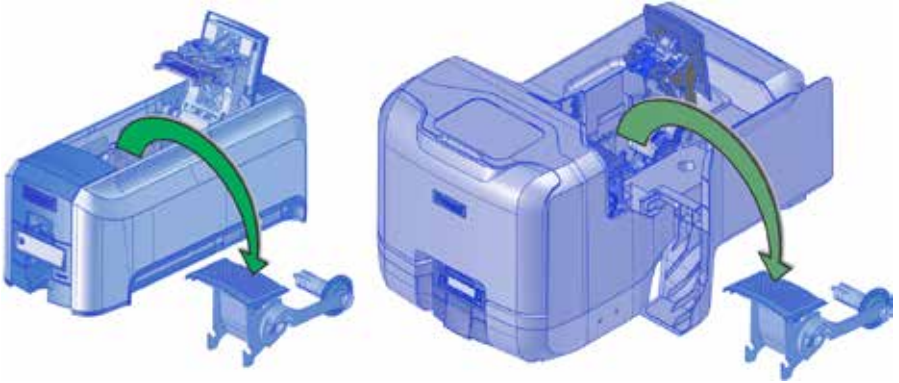
Remove the packing material inserted behind the multi-hopper and inside the cover.



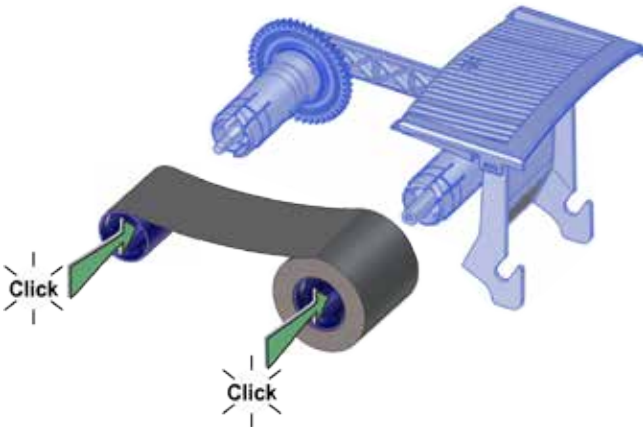
3. Load Supplies

Supplies are ordered separately.

- a. Remove the print ribbon cartridge.

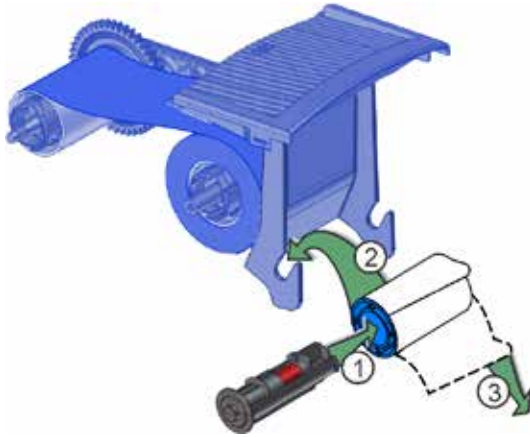


- b. Load the print ribbon onto the cartridge.

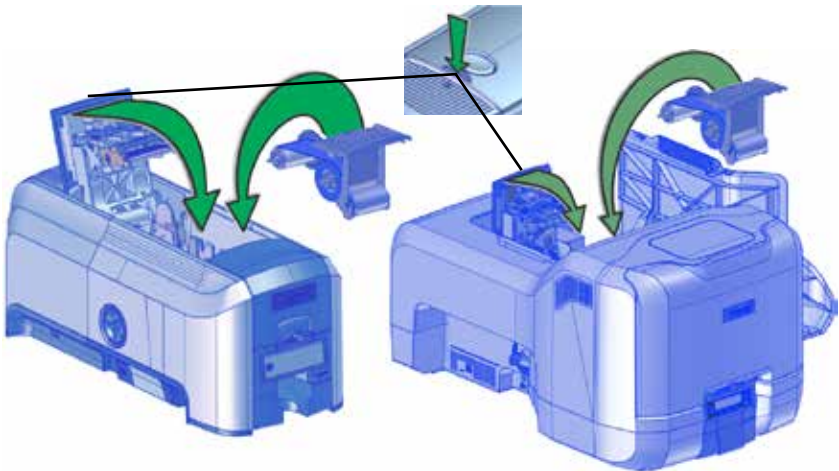


CD800 Card Printer Quick Install Guide

- c. Load the cleaning sleeve onto the ribbon cartridge.

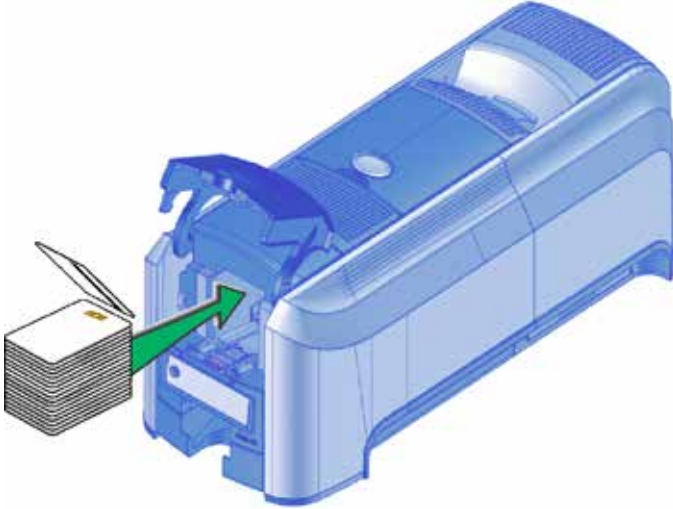


- d. Install the print ribbon cartridge in the printer.
- e. Close the printer cover. Press down on the cover ridges to make sure that the cover latches completely on both sides.

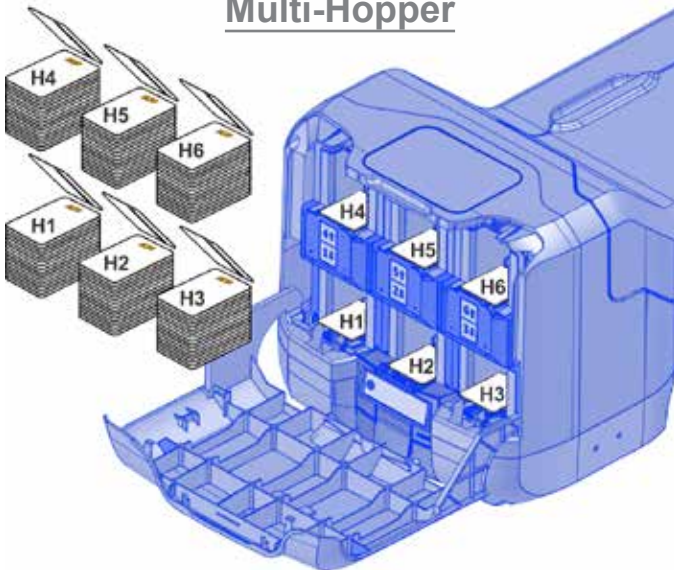


f. Load cards in the hopper.

Single Hopper



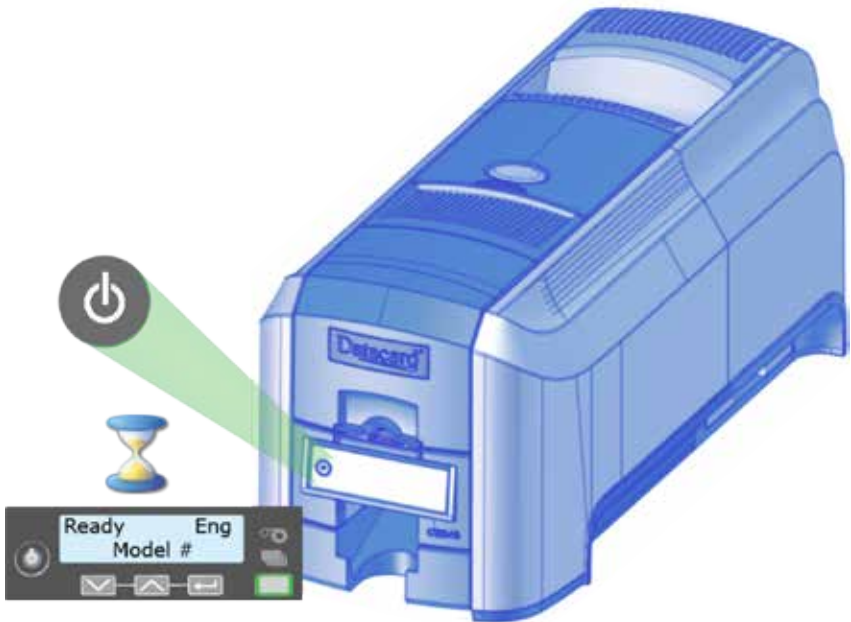
Multi-Hopper



g. Close the printer doors and lock the printer, if necessary.

4. Plug In and Power On the Printer

- a. Connect the printer power cord to the printer and to the power supply.
- b. Plug the power supply cord into the power outlet.
- c. Press the power button on the front panel to power on the printer. Wait until the system has powered up and **Ready** displays on the LCD panel.



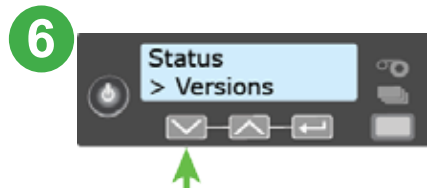
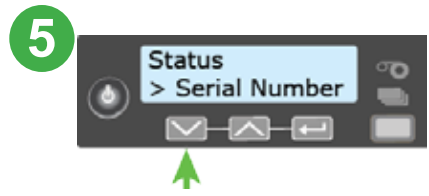
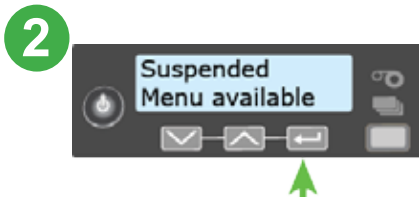
5. Retrieve the Network IPv4 Address

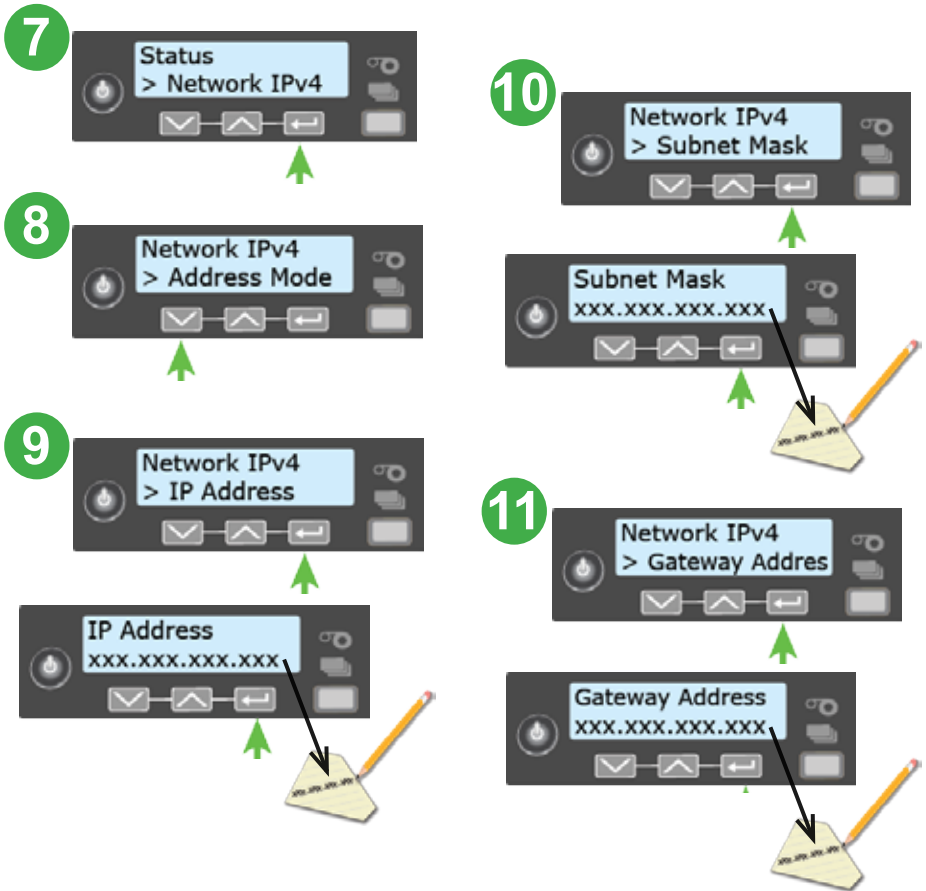
- a. Use the front panel to find the printer IP address. You also can display the subnet mask, and gateway address, if necessary.
- b. Write them down:

IP address _____

Subnet mask _____

Gateway address _____





- c. You will need to enter the printer IP address, when you are prompted, during installation of the Card Printer Driver.



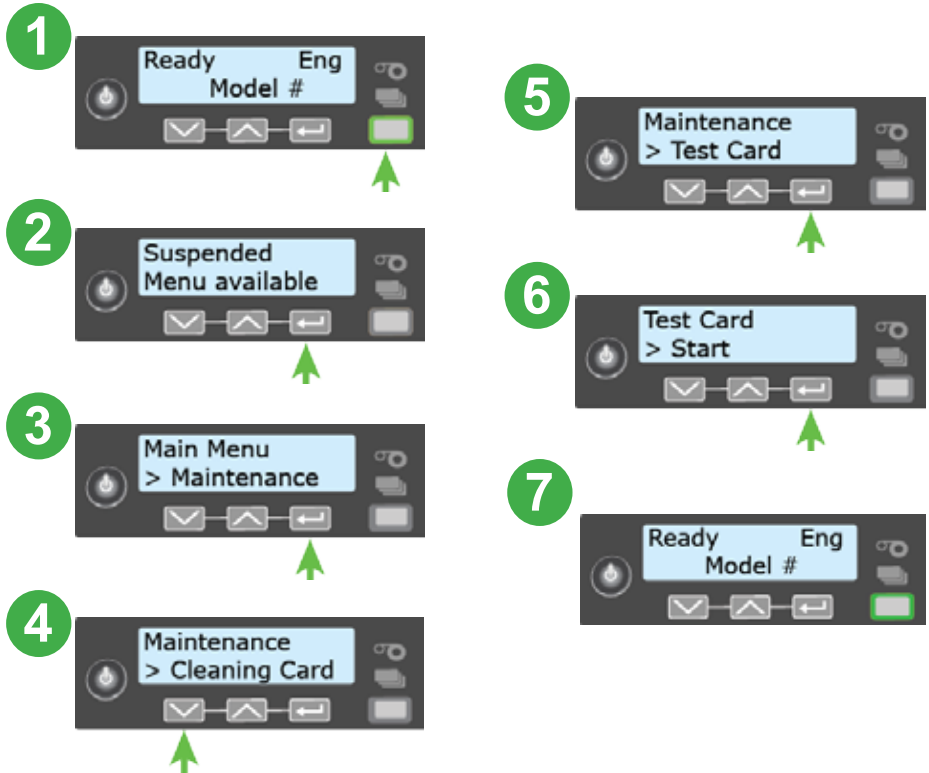
If your site plans to use IPv6 addressing, refer to the printer's *Installation and Administrator's Guide* for information about enabling IPv6.

6. Install the Card Printer Driver (Optional)

If you plan to use the XPS Card Printer Driver, refer to your printer's *Driver Guide* for installation instructions using either a USB or a network connection.

7. Print a Test Card (Optional)

Use the printer's LCD panel to print a test card:



8. Next Steps

- If you use the XPS Card Printer Driver, refer to your printer's *Driver Guide* for setup instructions.
- Contact your system administrator to set up the rest of the system.
- Set up security, including network authorization to the printer.
- Refer to the card printer's *Installation and Administrator's Guide* for detailed installation instructions.

Warning: This product contains chemicals, including lead, known to the State of California to cause cancer, and birth defects or other reproductive harm. *Wash hands after handling.*

For more information on this warning, refer to www.entrust.com/legal-compliance/environmental-product-certifications



Entrust, Datacard, and the Hexagon logo are trademarks, registered trademarks, and/or service marks of Entrust Corporation in the U.S. and/or other countries. All other brand or product names are the property of their respective owners. Because we are continuously improving our products and services, Entrust Corporation reserves the right to change specifications without prior notice. Entrust is an equal opportunity employer.