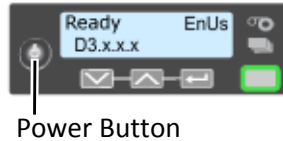


CD Series Printer Repackaging for Shipment

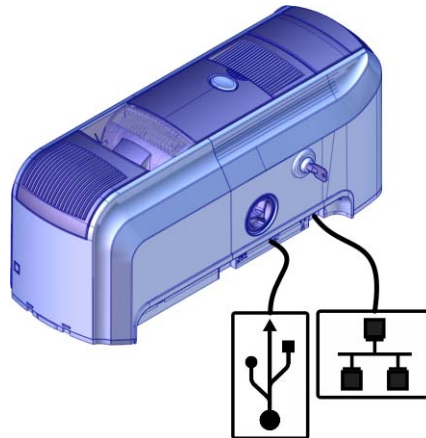
The following procedures are required for preparing the CD series printer unit for shipment.

1. Press the power button to power off the printer.

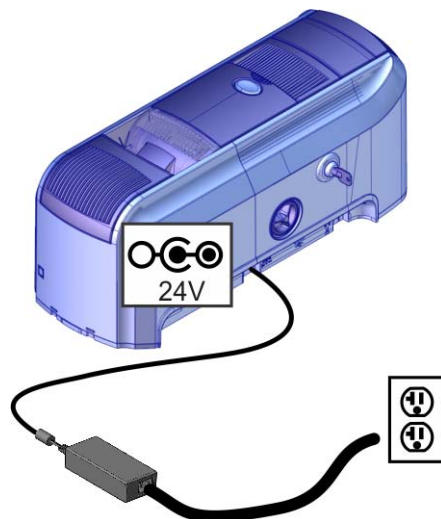


The front panel on the printer powers off.

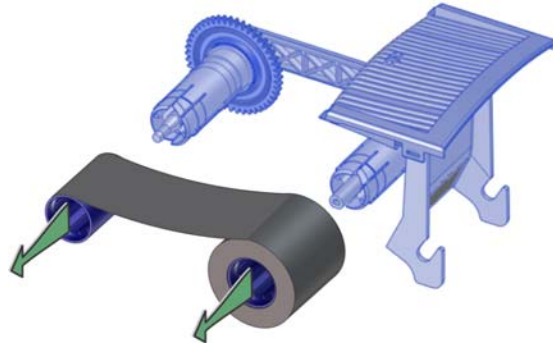
2. Disconnect the network or USB cable (the cable is not required for shipment).



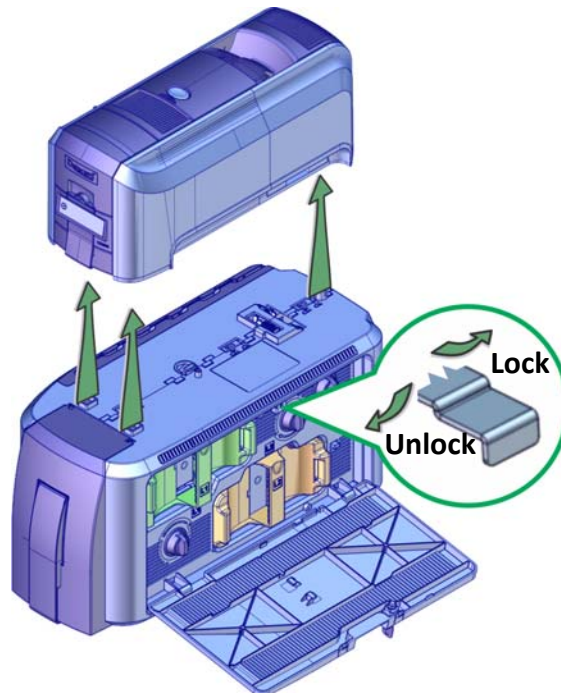
3. Unplug the power cord from the printer.



4. Remove the printer supplies.
 - a. Push down and open the printer swing arm.
 - b. Remove the supply cartridge from the printer.
 - c. Unload the print ribbon from the supply cartridge.



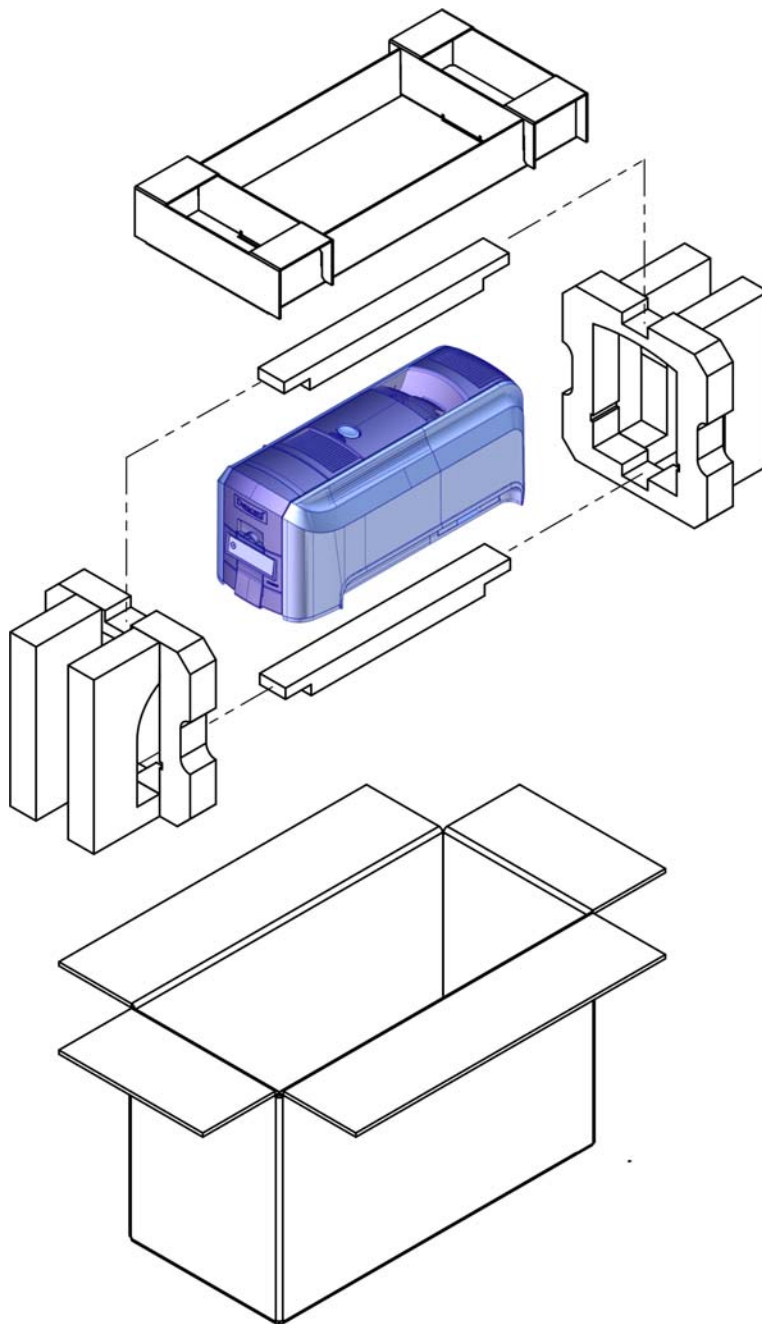
- d. Replace the supply cartridge in the printer and close the swing arm.
5. Remove the printer from the laminator (CD800 units with CLM unit only).
 - a. Open the laminator access door and slide the printer locking lever in the laminator to the left position (unlocked).
 - b. Disconnect the data cable from the laminator to the printer.
 - c. Lift the printer off of the laminator and place the printer in a stable position.
 - d. Close and lock the laminator.



6. Pack and secure the printer.

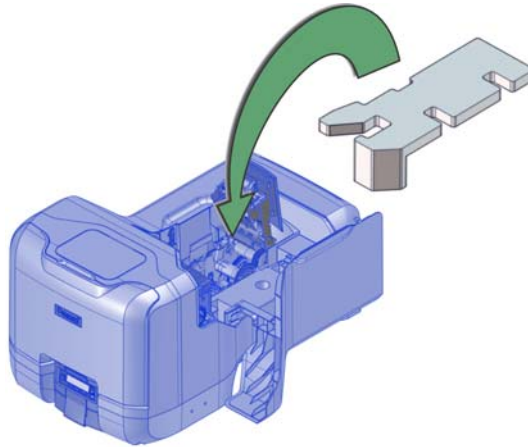
CD Single-hopper printer only:

- a. Place the foam caps on the front and back of the printer and set it in the shipping carton.
- b. Secure the shipping carton with shipping tape.

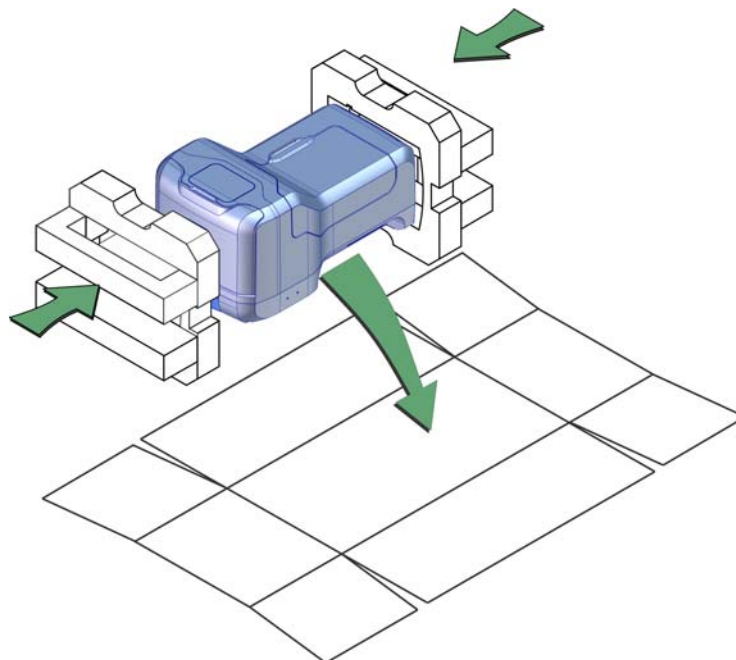


CD800 Multi-hopper printer only:

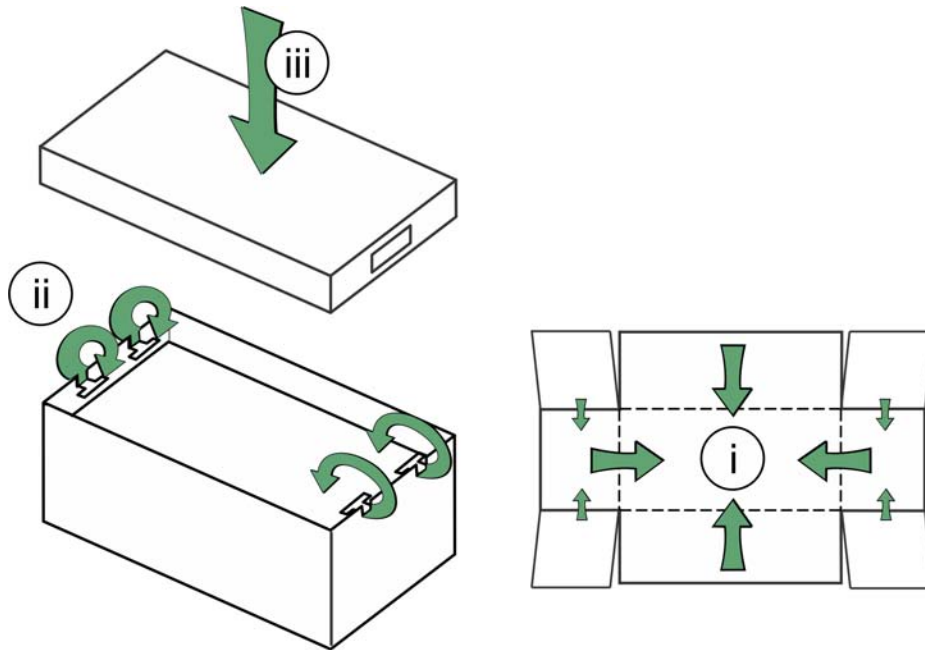
- a. Secure internal components.
 - i. Unlock printer and place the original shipping restraint into the body of the printer.
 - ii. Secure the shipping restraint behind the multi-hopper.



- iii. Close and lock the printer.
- b. Pack the printer.
 - i. Place the foam caps on the front and back of the printer and center it on the unfolded box.

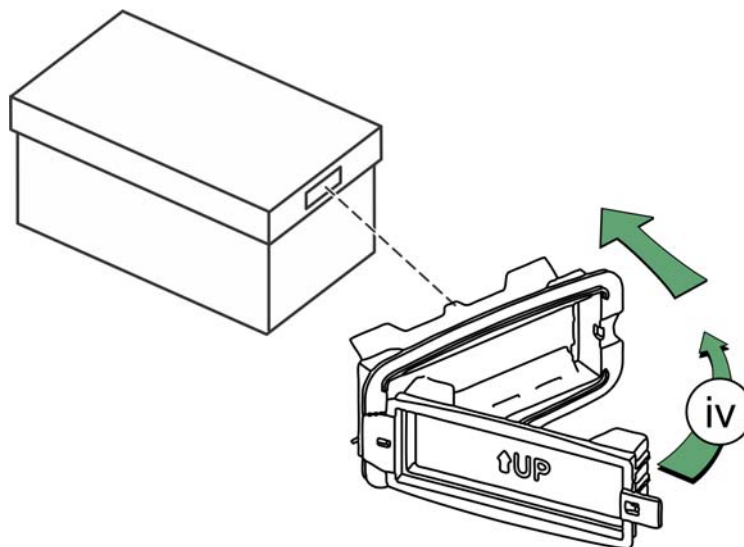


- ii. Fold the box around the unit with inserts.
- iii. Secure the folding of the box using the four "T" tabs.
- iv. Place the cover on top of the box.



c. Secure the box for shipping.

- i. Insert and close the two plastic handles to secure the cover to the box.



- ii. Wrap shipping tape around the box and cover to secure the container for shipping.