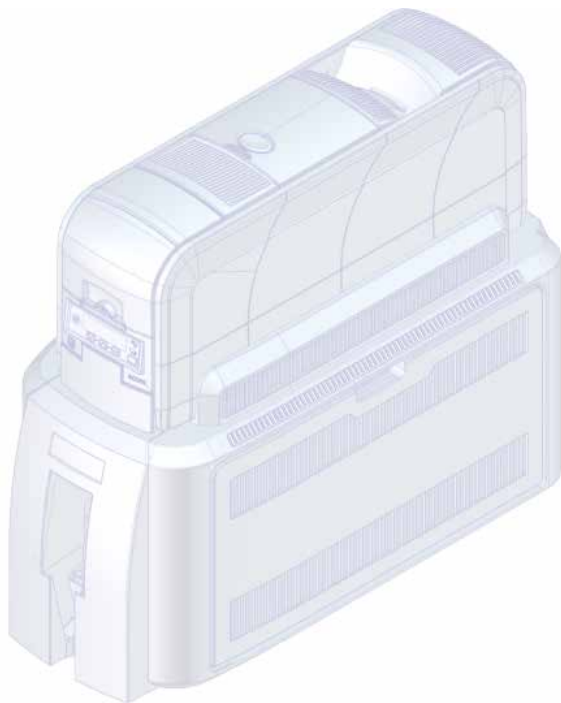


# Datacard<sup>®</sup>

## SD460™ SLM Laminating System Quick Install Guide



## Before You Begin

- The laminating system requires the printer firmware and the laminator firmware to be at compatible version levels. The minimum printer firmware version is D3.15.x-x. You can see the installed firmware version on the printer LCD panel.
  - Printer firmware versions D3.15.1-10 and newer detect the laminator firmware version and update the laminator firmware automatically.
  - If your firmware is not at the required minimum level, or if you receive a firmware version mismatch error (message 222), use the Card Printer Firmware Update program and instructions (included on the enclosed CD) to update the firmware. Or, visit [www.datacard.com](http://www.datacard.com) to download the latest firmware.

You may need to perform the firmware update twice. The first update allows the printer to communicate with the laminator. The second update upgrades the laminator firmware.

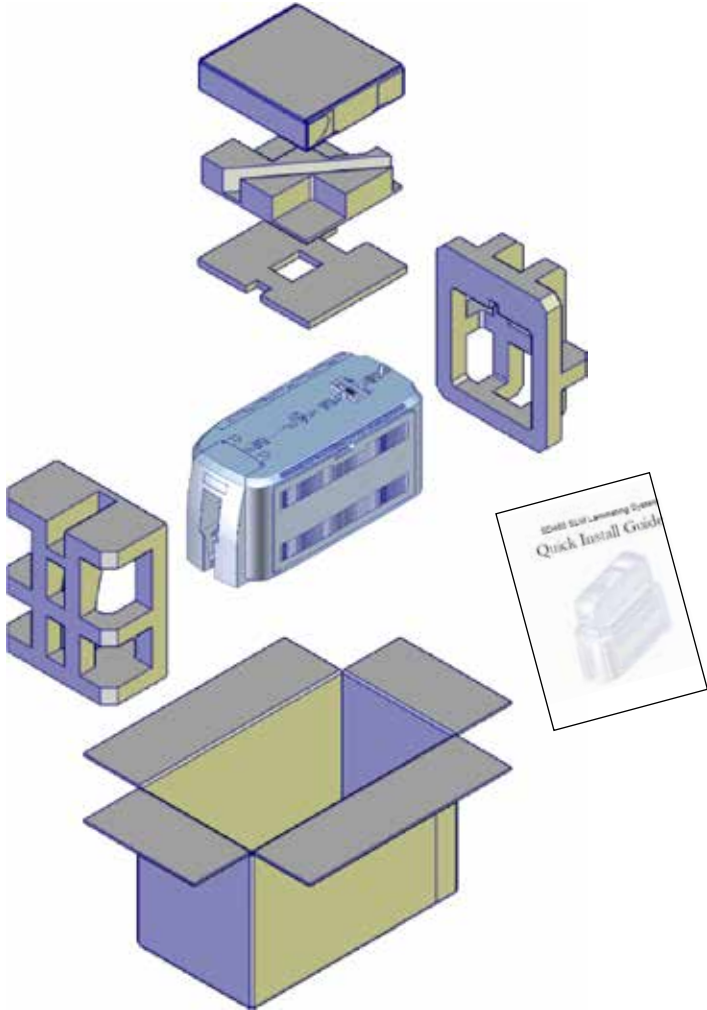
- Refer to the printer's *Installation and Administrator's Guide*, found on the *Owner's Library* CD that ships with the printer, for detailed installation instructions. The latest user documentation and firmware for the SD460 system is available for download at [www.datacard.com](http://www.datacard.com).

## 1. Select a Location for the System

Install the system in a location that is large enough for your system configuration. Refer to the SD460 site requirements in the printer's *Installation and Administrator's Guide*.

## 2. Unpack and Secure the System

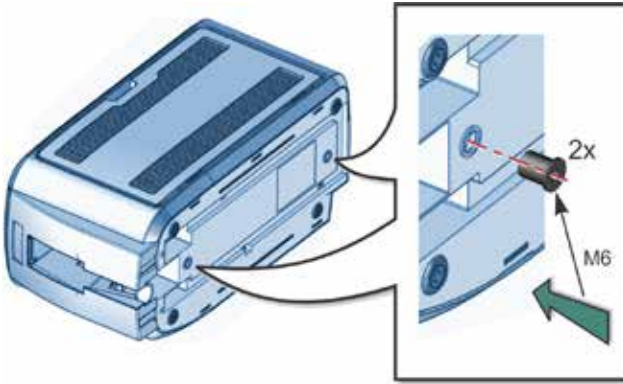
- a. Remove the printer and the laminator from the shipping cartons. The *SD460 Quick Install Guide* (this guide) is included in the shipping carton.



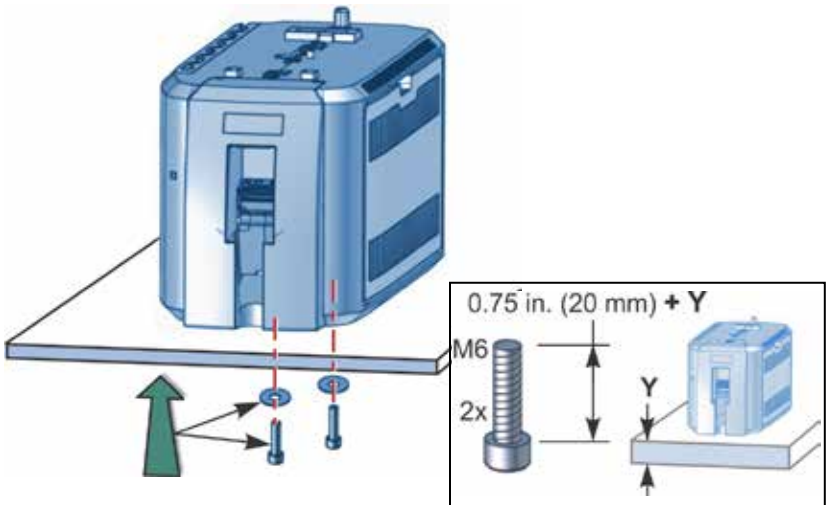
Save the shipping cartons and packing materials. They are required if you need to store, move, or return the system for service.

## SD460 Laminating System Quick Install Guide

- b. Secure the laminator to the mounting surface (optional). Refer to the printer's *Installation and Administrator's Guide* for detailed measurements and instructions.
  - i. Carefully tip the laminator onto its left side (the side without the access door). Insert the M6 well nuts into the bolt-down openings in the bottom of the laminator.

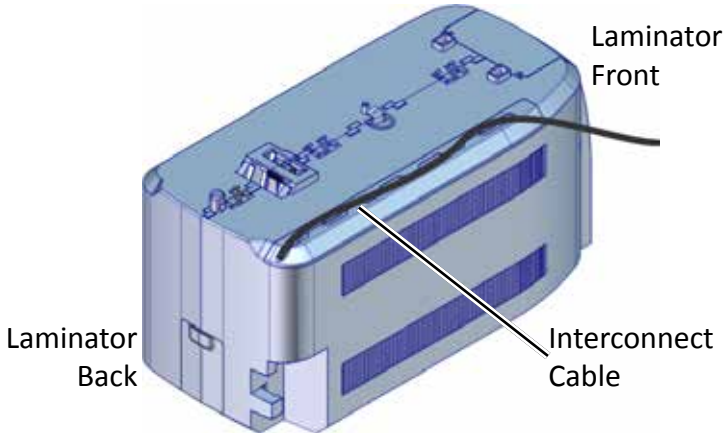


- ii. Return the laminator to its upright position and secure the laminator to the mounting surface with the two M6 screws.

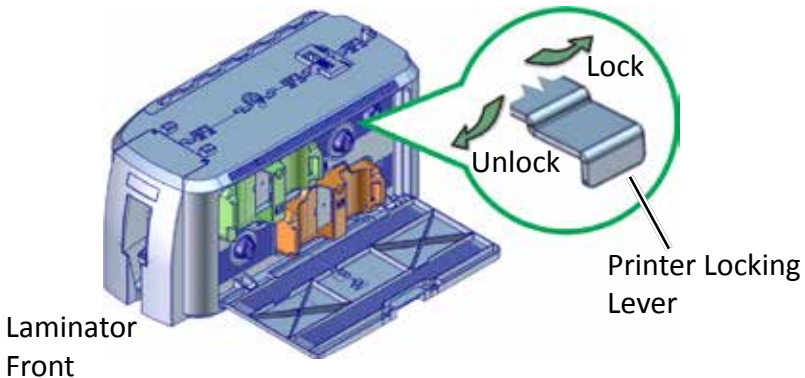


## 3. Assemble the Printer and Laminator

- a. Locate the interconnect cable in the cable routing area at the top of the laminator and make sure that it remains accessible.



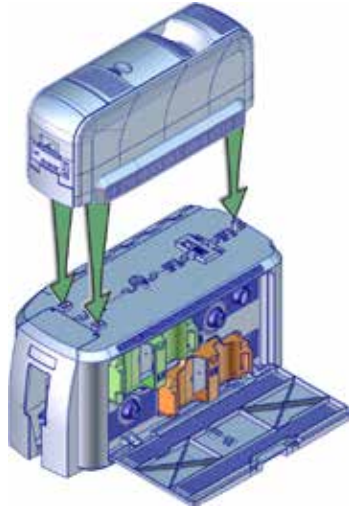
- b. Open the laminator access door.
- c. Slide the printer locking lever in the laminator to the left to move it to the unlocked position.



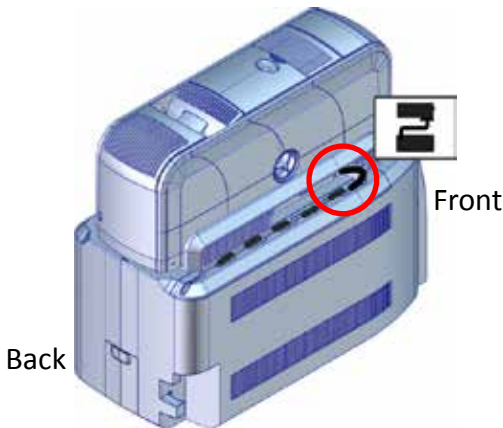
## SD460 Laminating System Quick Install Guide

---

- d. Lift the printer over the laminator and align the pins on the laminator with the holes on the underside of the printer.

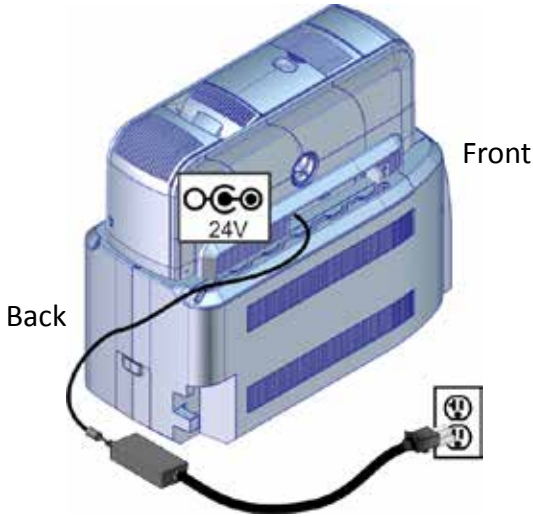


- e. Press down on the printer carefully, but firmly, to position it.
- f. Push the printer locking lever to the right to lock the printer to the laminator. Make sure that the printer is locked securely to the laminator.
- g. Connect the interconnect cable to the lower data port of the printer.

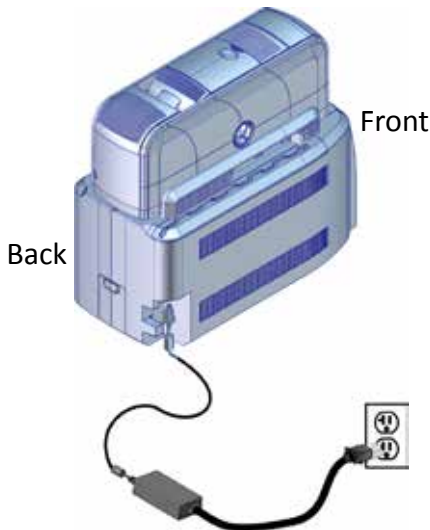


## 4. Connect the Power Cords

- a. Connect the printer power cord to the printer and to the power supply. Plug the power supply cord into the power outlet.




- b. Connect the laminator power cord to the laminator and to the power supply. Plug the power supply cord into the power outlet.



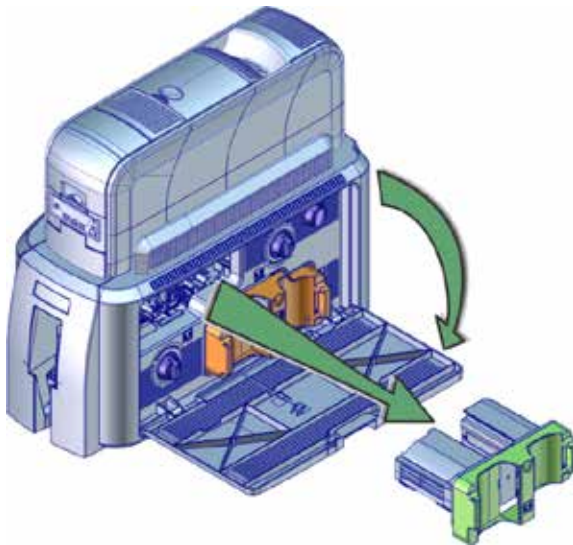
## 5. Load Laminator Supplies

Supplies are ordered separately.

Refer to the *SD260L/SD360/SD460 Card Printers Quick Install Guide* to load printer supplies.

 The L1 (green) and L2 (orange) cartridges fit only in their assigned locations inside the laminator. They are not interchangeable.

- a. Open the laminator access door.
- b. Remove the L1 (green) cartridge from the laminator.

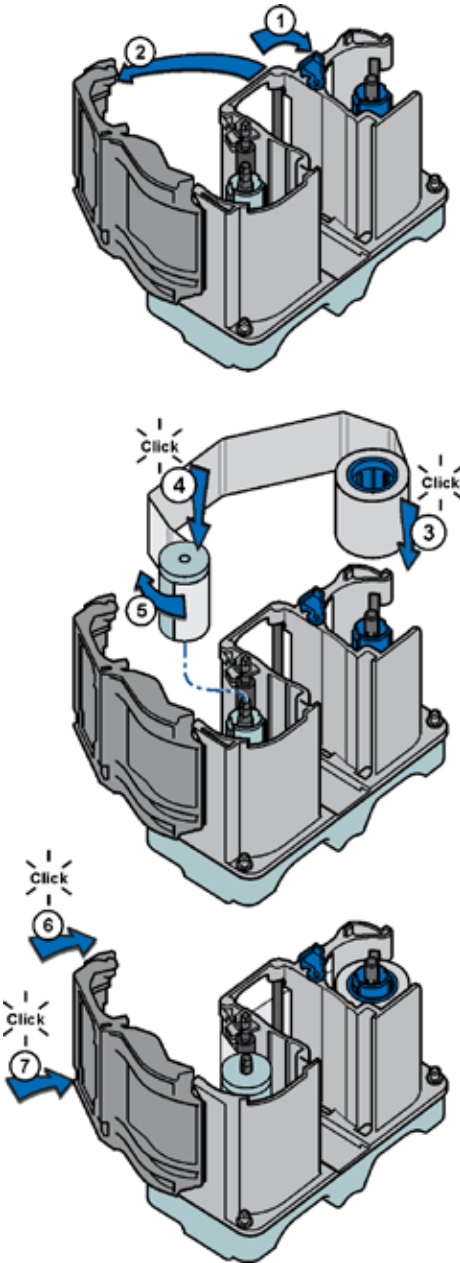




## SD460 Laminating System Quick Install Guide

---

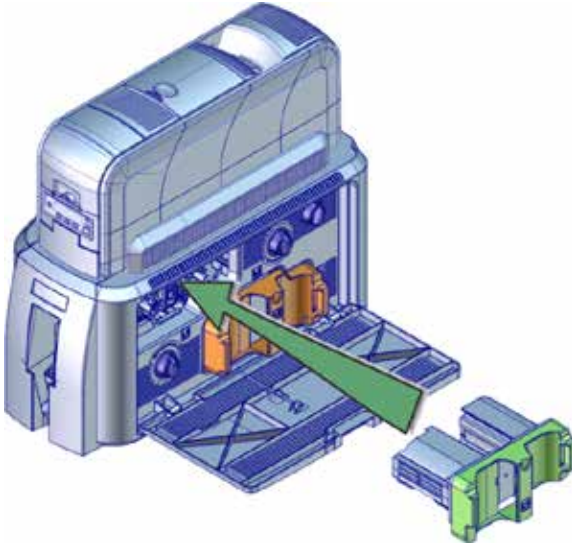
- c. Load the overlay onto the cartridge. Make sure that the overlay spool color matches the cartridge spindle.



## SD460 Laminating System Quick Install Guide

---

- d. Replace the cartridge in the laminator.



- e. Remove the L2 (orange) cartridge, if installed, from the laminator.
- f. Repeat Steps 5c and 5d to load the overlay onto the L2 cartridge.
- g. Close the laminator access door when finished.

## 6. Power On the System

Press the power button on the front of the printer. The printer and laminator perform internal checks and initialize supplies.



If you receive a firmware version mismatch error (message 222), use the Card Printer Firmware Update program to update the firmware. Refer to “Before You Begin” on page 2 for more information.

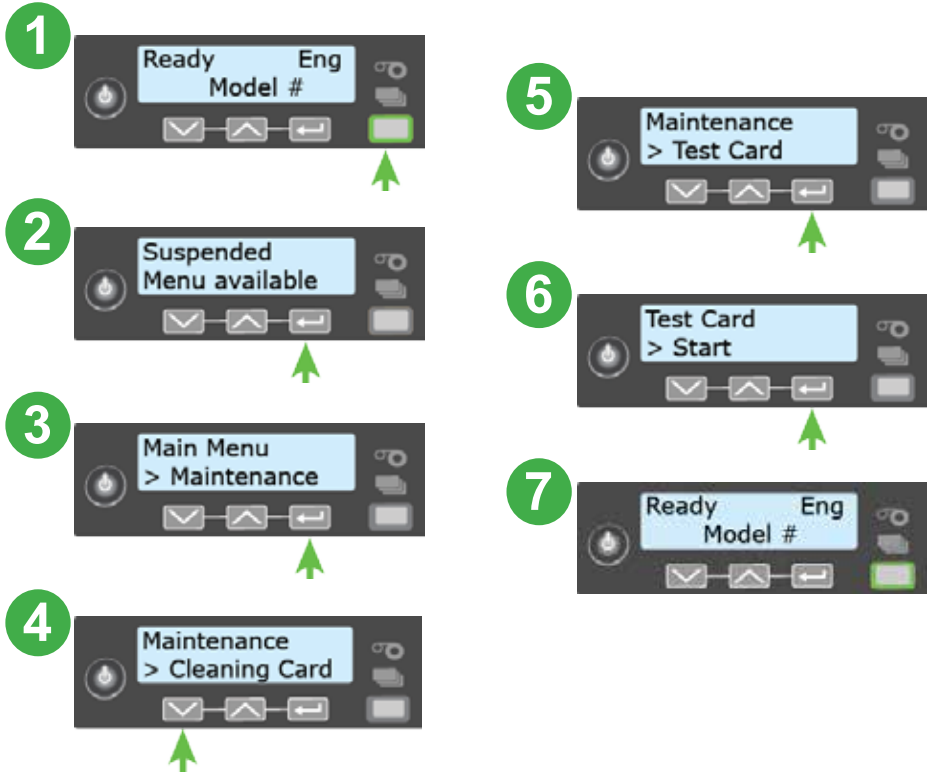
The laminator contains heaters for the L1 and L2 cartridges, and for the impresser if one is installed. It can take several minutes for the heaters to reach their correct operating temperature before the system is ready to print cards. The laminator status light blinks blue while the heaters are warming up.

## 7. Install the Card Printer Driver

Refer to the *SD260L/SD360/SD460 Card Printers Quick Install Guide* or the printer’s *Driver Guide* to install the Card Printer Driver and connect the system to a single PC or to a network.

## 8. Print a Test Card

Use the printer's LCD panel to print a test card. The card tests the L1 and L2 laminators (if L2 is installed), debosses the card, and impresses the card if an impresser is installed. Make sure that cards are loaded in the printer input hopper before you begin.



### 9. Verify the Test Card

Examine the test card to verify the following:

- The overlays are applied properly:
  - Each overlay is applied completely to the card.
  - The material adheres well to the edges of the card.
  - The overlay does not come off when the card is bent or twisted.
- The card is debowed correctly.
- The impression is positioned correctly and has the proper depth.

If you need to adjust the laminator settings, refer to the “Printer Manager” section of the printer’s *Installation and Administrator’s Guide*.

Please complete a brief survey about your product installation experience at:

<https://www.datacard.com/datacard-product-installation-report>

**Warning: This product contains chemicals, including lead, known to the State of California to cause cancer, and birth defects or other reproductive harm. *Wash hands after handling.***

For more information on this warning, refer to:

[www.datacard.com/califpropwarning](http://www.datacard.com/califpropwarning).

# Datacard®

1187 Park Place  
Shakopee, Minnesota 55379  
952.933.1223 • 952.933.7971 Fax  
[www.datacard.com/id](http://www.datacard.com/id)

Datacard is a registered trademark and service mark of Entrust Datacard Corporation, and Entrust is a registered trademark and service mark, in the United States and other countries. All other trademarks are the property of their respective owners.

© 2014–2017. The design and information contained in these materials is protected by US and international copyright law.