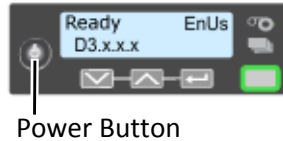


## SLM/CLM Repackaging for Shipment

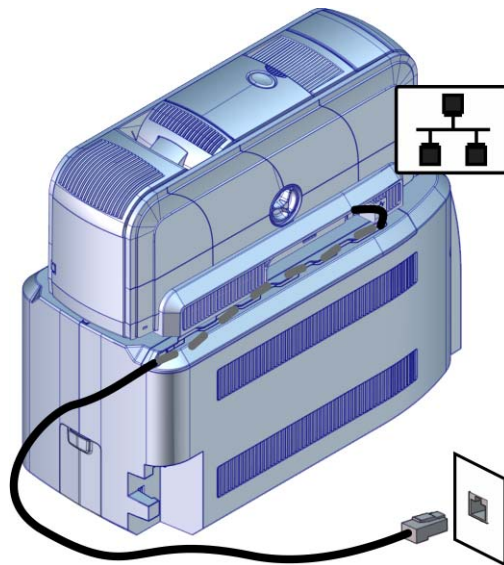
The following procedures are required for preparing the SD/CD series laminator unit for shipment.

1. Press the power button to power off the system.

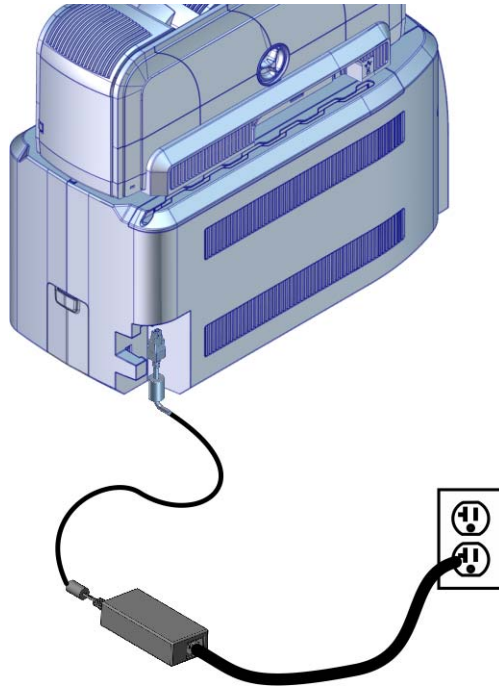


The front panel on the printer powers off.

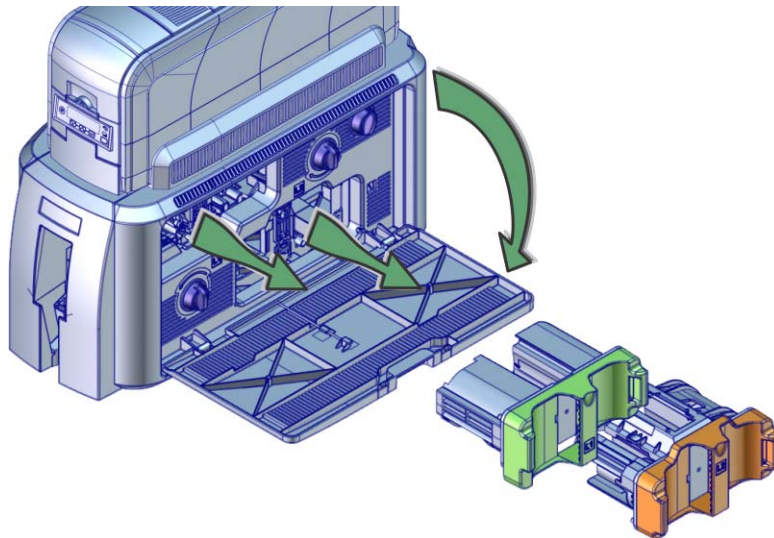
2. Disconnect the network cable (the cable is not required for shipment).



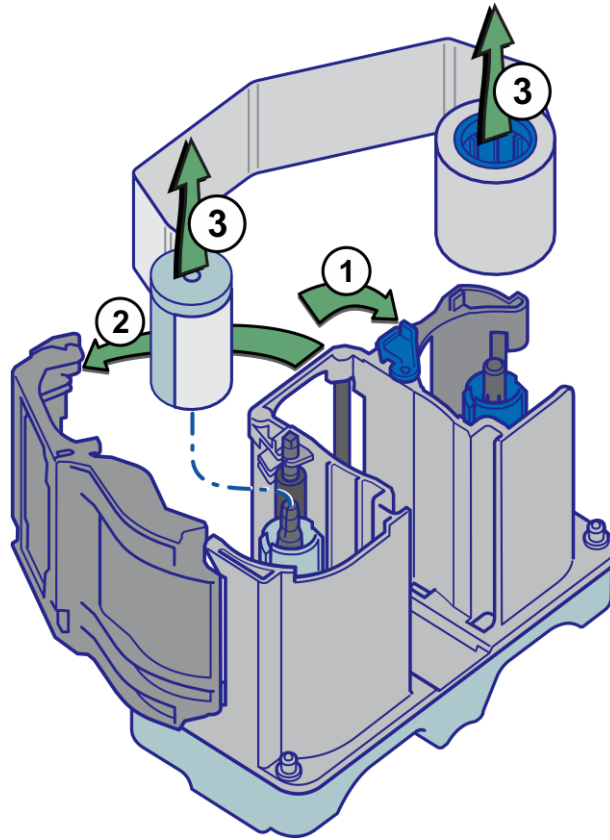
3. Unplug the power cord from the laminator.



4. Remove the laminator supplies.
  - a. Unlock and open the laminator access door.
  - b. Remove the overlay cartridge(s).

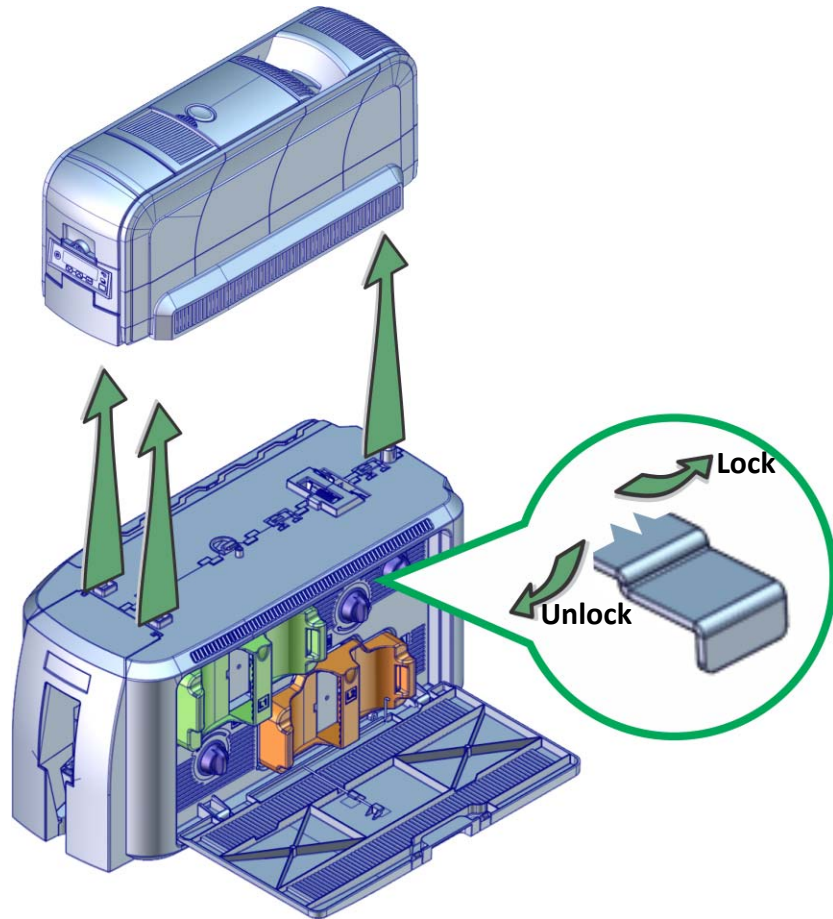


c. Unload the overlay supply from the cartridge(s).

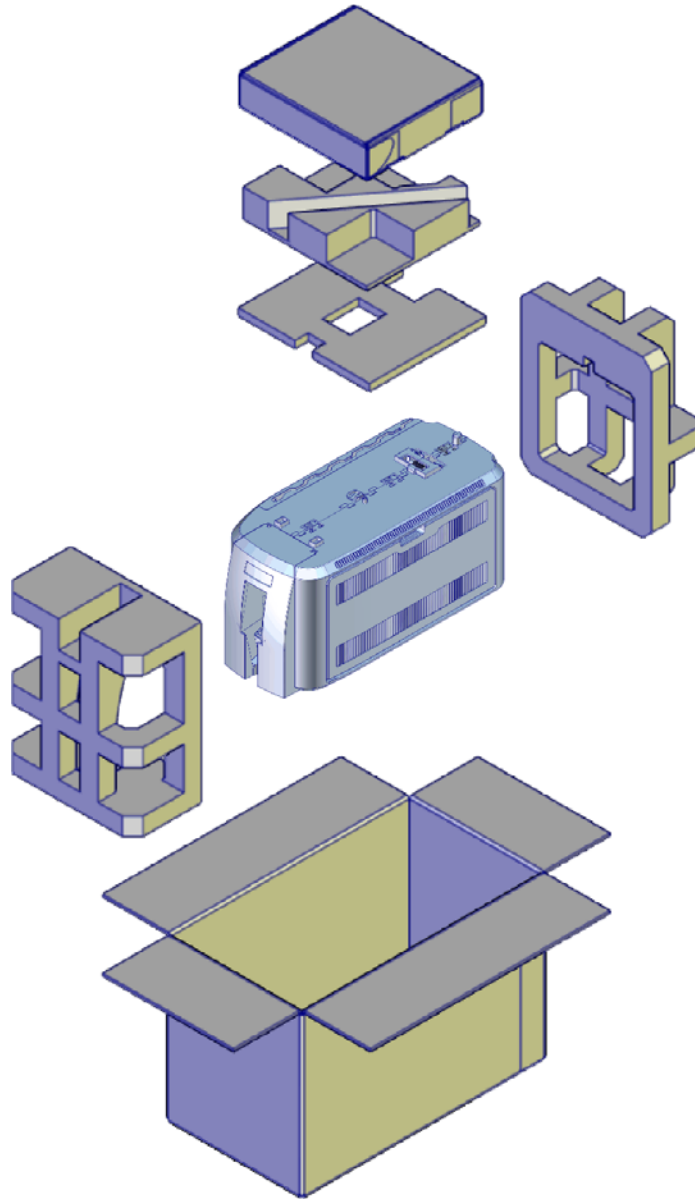


d. Replace the overlay cartridge(s) in the laminator.

5. Remove the printer from the laminator.
  - a. Open the laminator access door and slide the printer locking lever in the laminator to the left position (unlocked).
  - b. Disconnect the data cable from the laminator to the printer.
  - c. Lift the printer off of the laminator and place the printer in a stable position.
  - d. Close and lock the laminator.



6. Pack and secure the laminator.
  - a. Place the foam caps on the front and back of the laminator and set it in the shipping carton.



- b. Secure the shipping carton with shipping tape.