

Datacard[®]

SD260L[™]/SD360[™]/SD460[™]

Card Printers

**For Printers Using the Datacard
XPS Card Printer Driver**

**USB and Network
Installation Instructions**

Quick Install Guide



Contents

Step 1: Prepare the Printer	2
Step 2: Plug In and Power On the Printer	4
Step 3: Set Up the PC	5
Step 4: Install the Printer	
(USB): Install a USB Printer	7
(Network): Install a Network Printer	9
Step 5: Print a Sample Card	12

Installation Steps



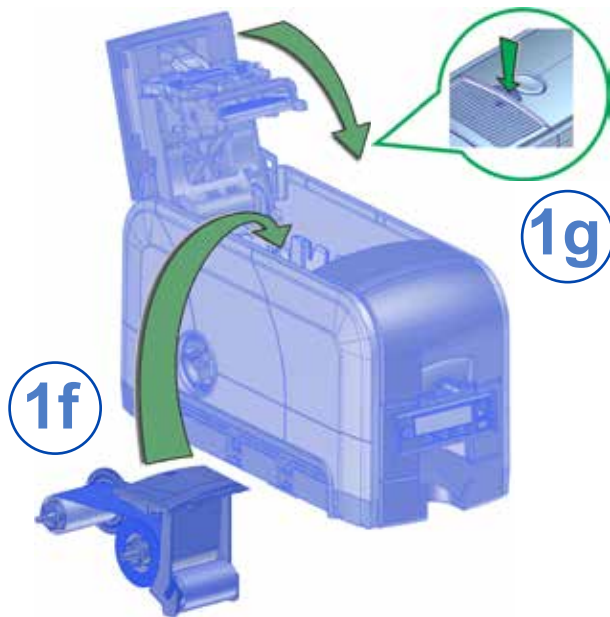
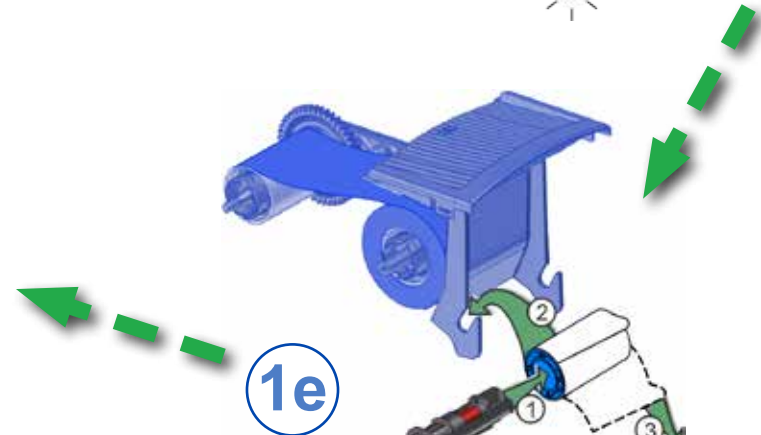
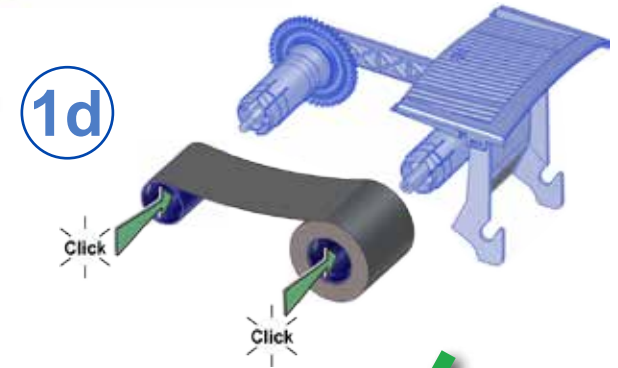
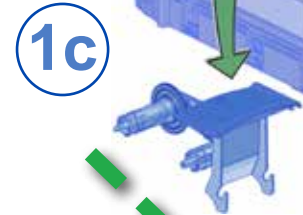
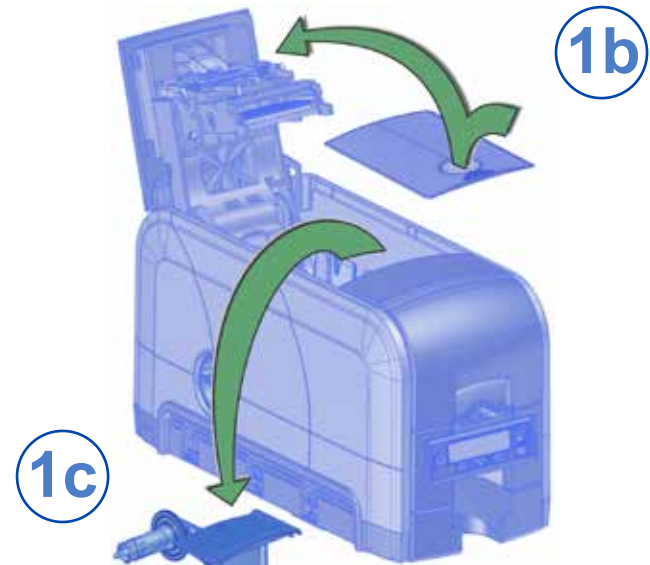
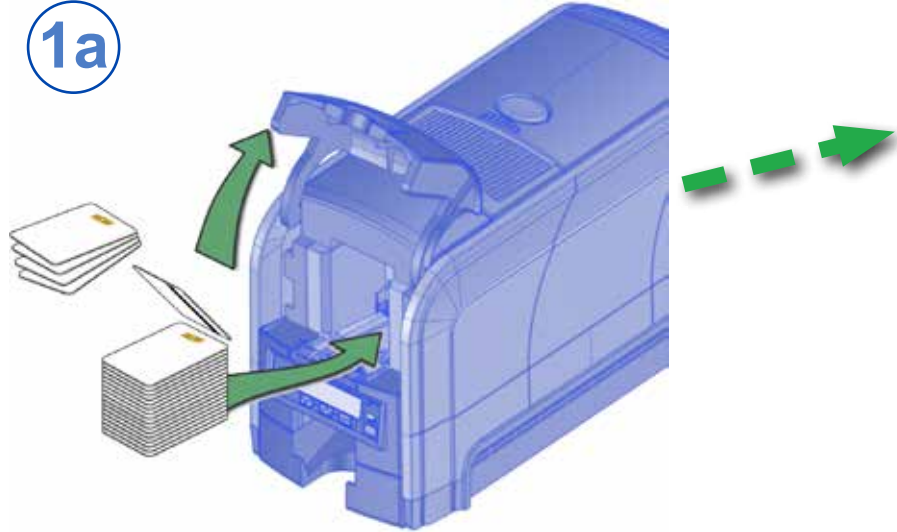
*Supplies sold separately

Warning: This product contains chemicals, including lead, known to the State of California to cause cancer, and birth defects or other reproductive harm. Wash hands after handling.

For more information on this warning, refer to:
www.datacard.com/califpropwarning.

The printer must be used as installed and recommended by Datacard. You may not modify the printer or how it is used without written permission. Changes or modifications not expressly approved by the party responsible for compliance could void the user's authority to operate the equipment.

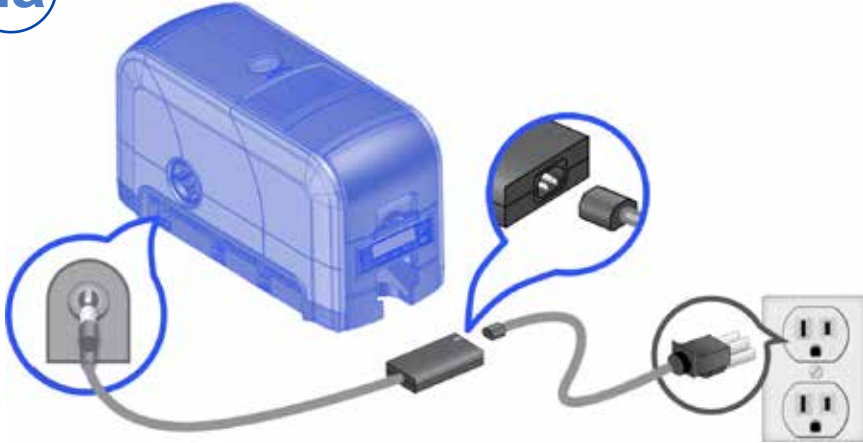
Step I: Prepare the Printer



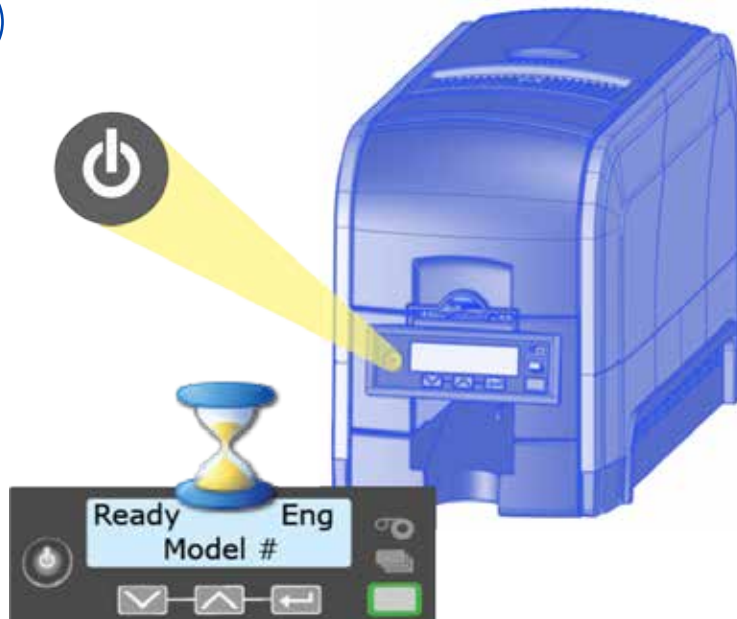
If you are setting up an SD460 system, also refer to the setup instructions shipped in the laminator carton.

Step 2: Plug In and Power On the Printer

2a



2b



Step 3: Set Up the PC

3a



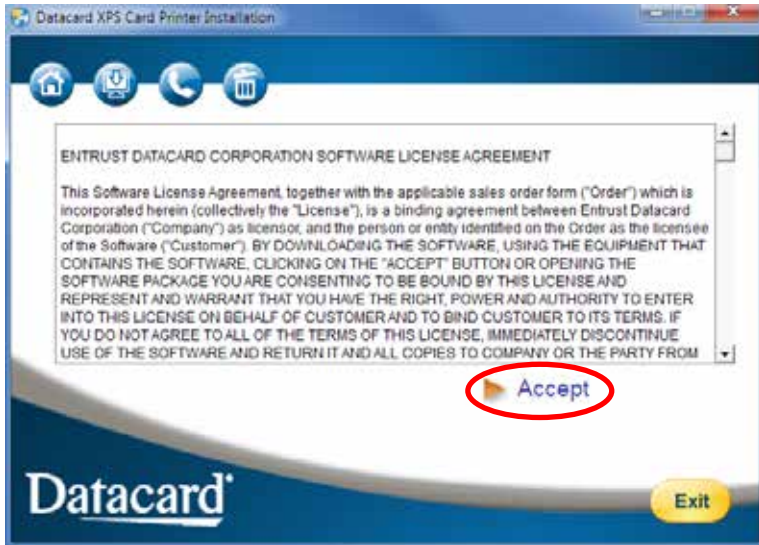
3b



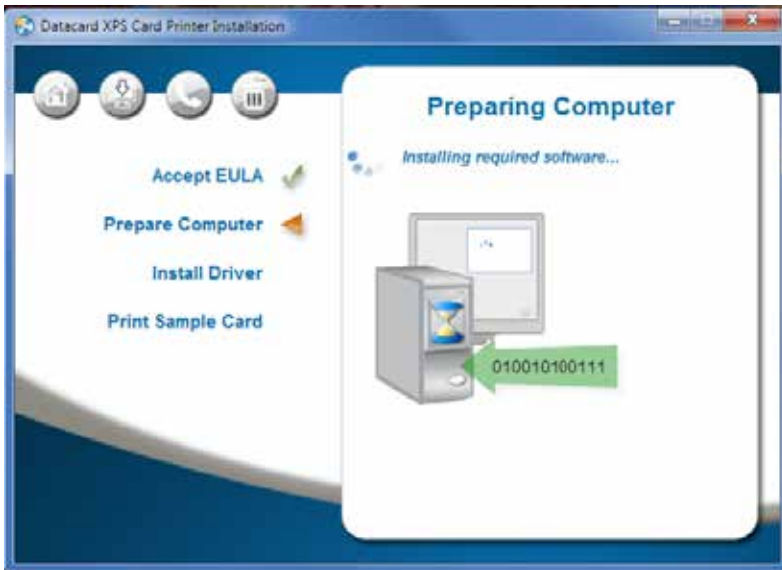
! Do not plug in the USB cable until prompted.

Step 3: Set Up the PC—cont.

3c



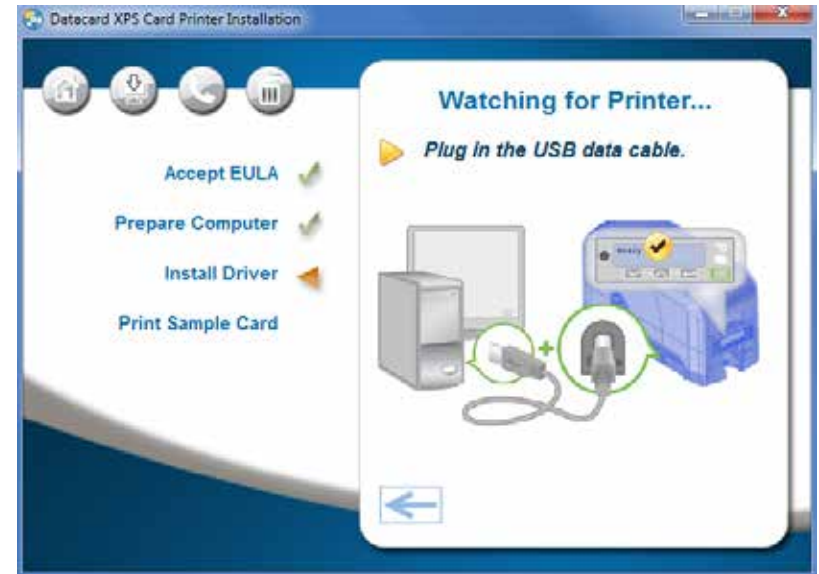
3d



Step 4 (USB): Install a USB Printer

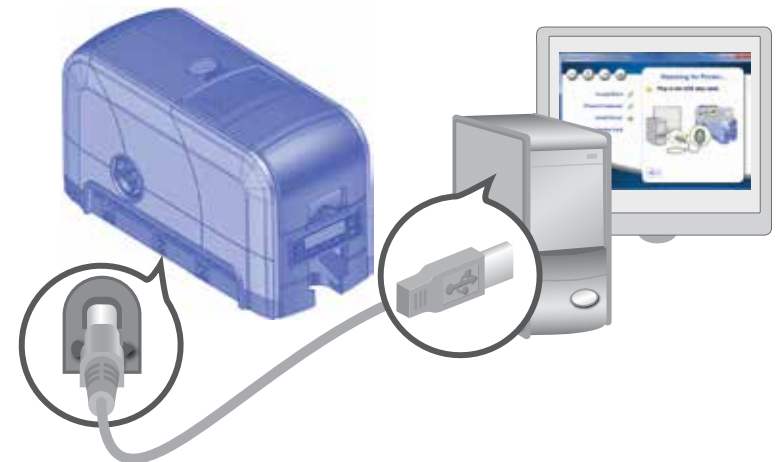
USB

4a



USB

4b



Continue with "Step 4 (USB): Install a USB Printer" on page 7
OR "Step 4 (Network): Install a Network Printer" on page 9.

Step 4 (USB): Install a USB Printer—cont.

USB

4c

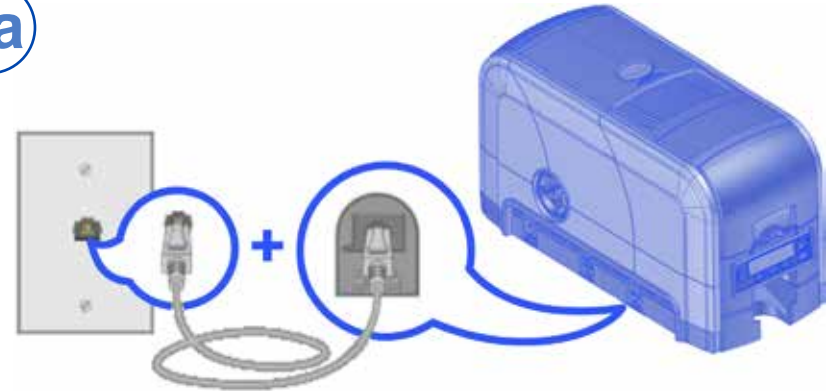


Go to “Step 5: Print a Sample Card” on page 12.

Step 4 (Network): Install a Network Printer

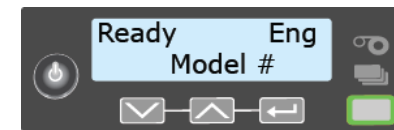
Network

4a

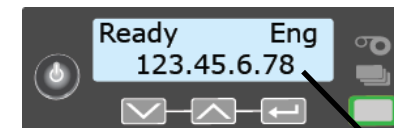


Network

4b



2X



Step 4 (Network): Install a Network Printer—cont.

Network

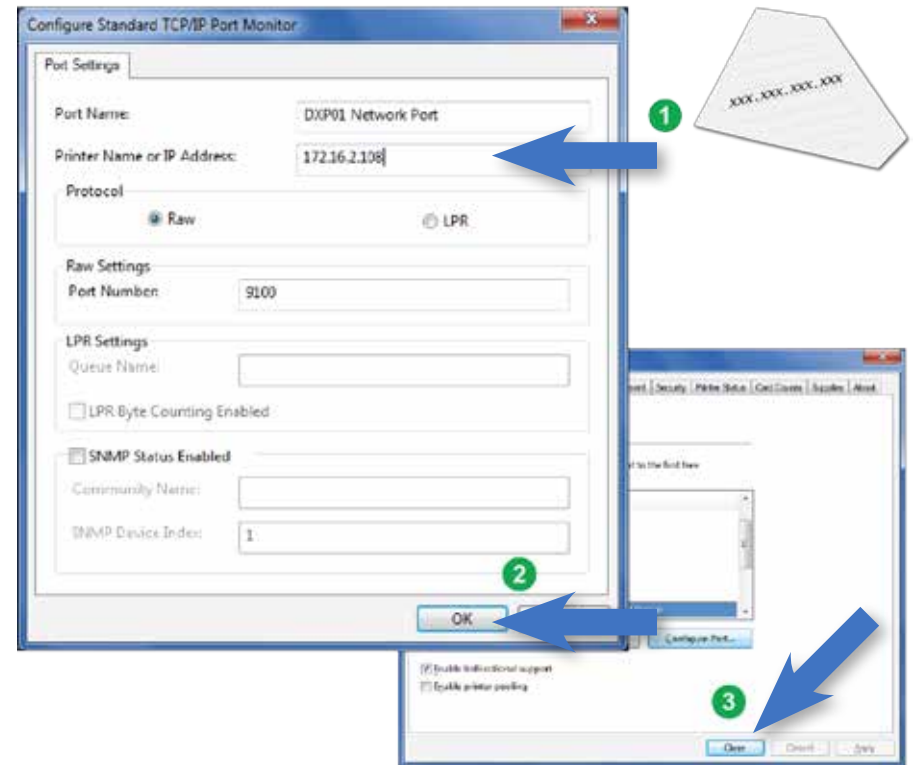
4c



Step 4 (Network): Install a Network Printer—cont.

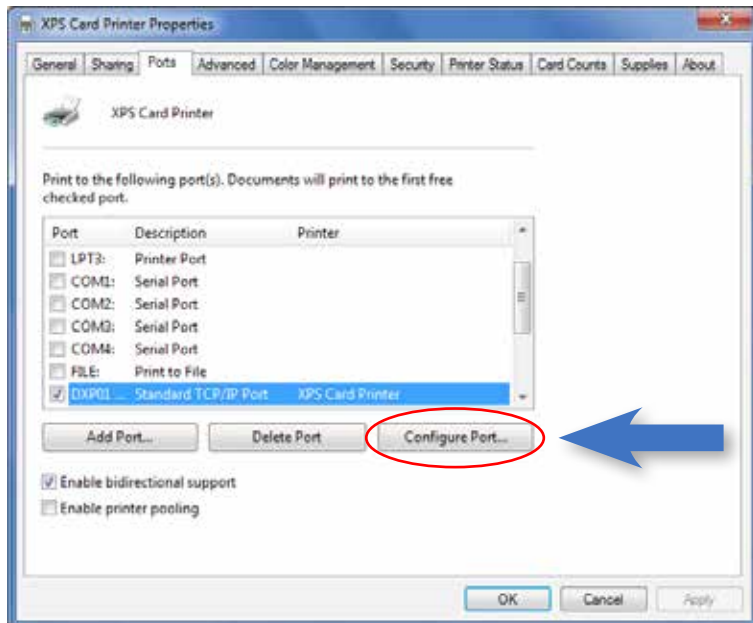
Network

4e



Network

4d



Go To “Step 5: Print a Sample Card” on page 12.

Step 5: Print a Sample Card

5



Please complete a brief survey about your product installation experience at:
<https://www.datacard.com/datacard-product-installation-report>

Datacard®

1187 Park Place
Shakopee, Minnesota 55379
952.933.1223 • 952.933.7971 Fax
www.datacard.com/id

Datacard is a registered trademark and service mark of Entrust Datacard Corporation, and Entrust is a registered trademark and service mark, in the United States and other countries. All other trademarks are the property of their respective owners. © 2012–2017. The design and information contained in these materials is protected by US and international copyright law.